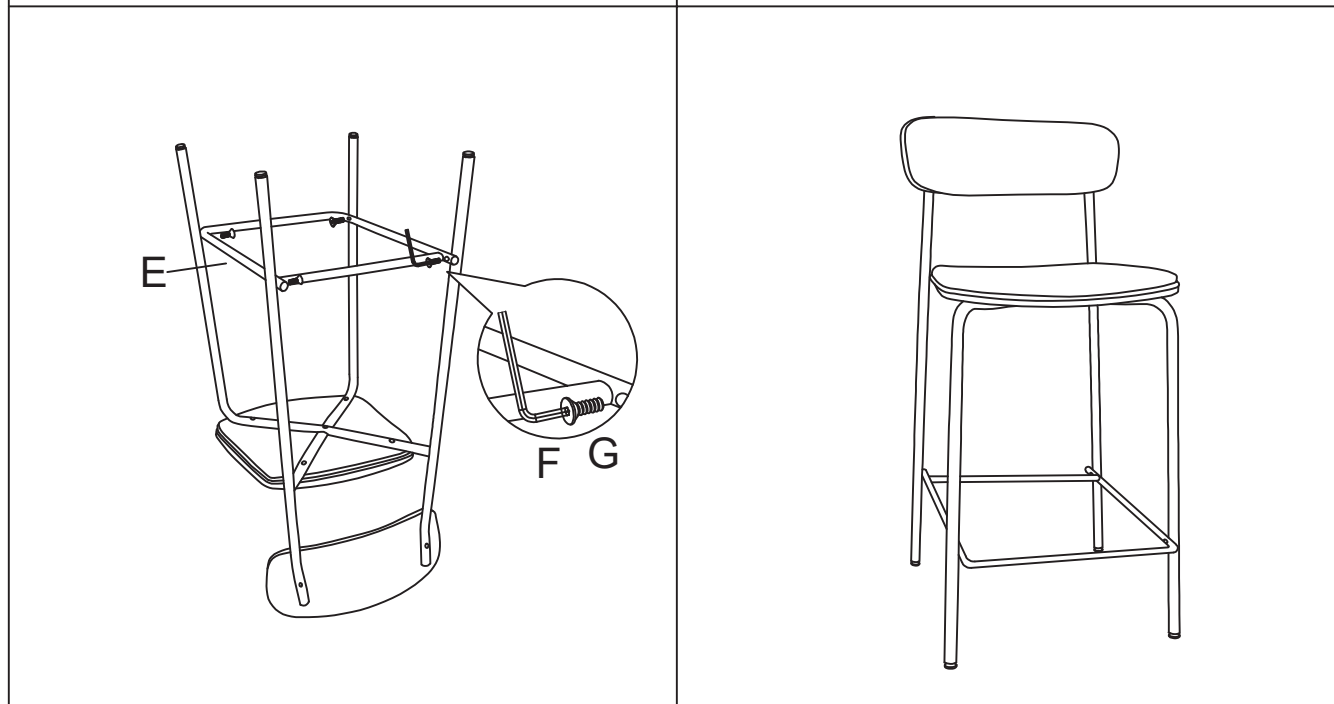
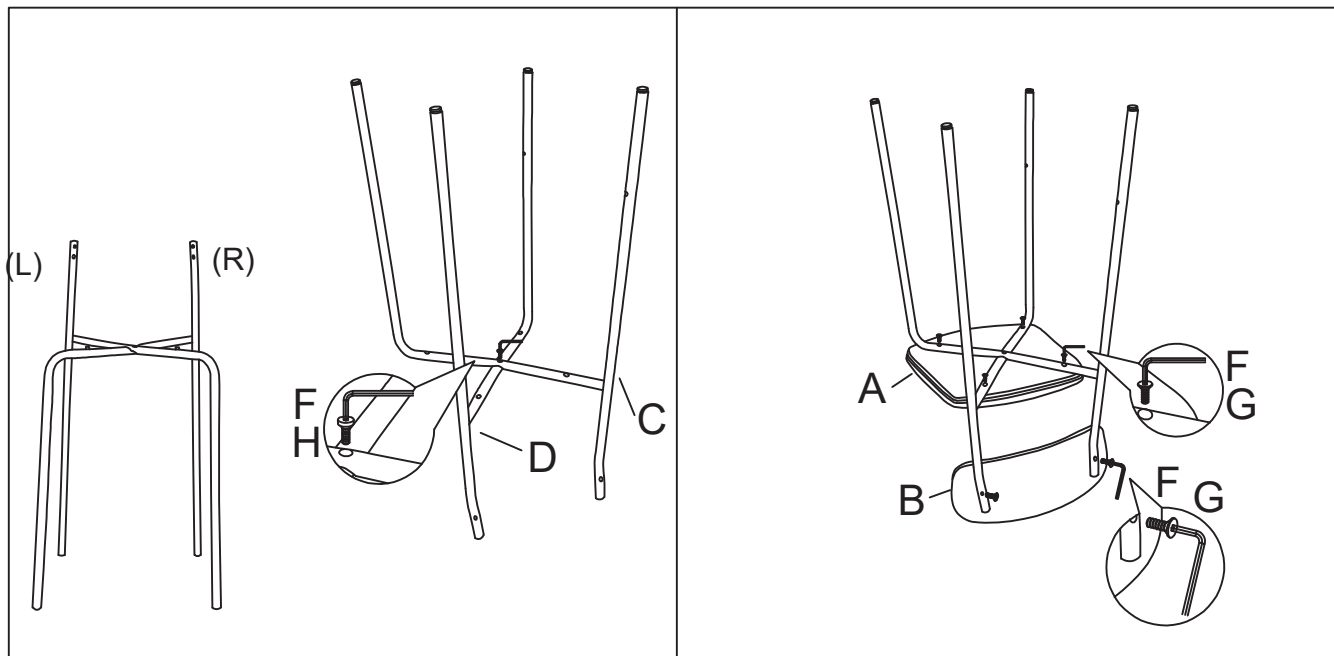


1001385 Counter Chair



A	x1	B	x1	C	x1	D	x1	E	x1	F	x1	G	x10	H	x1
				(L)		(R)						M6x28		M6x16	