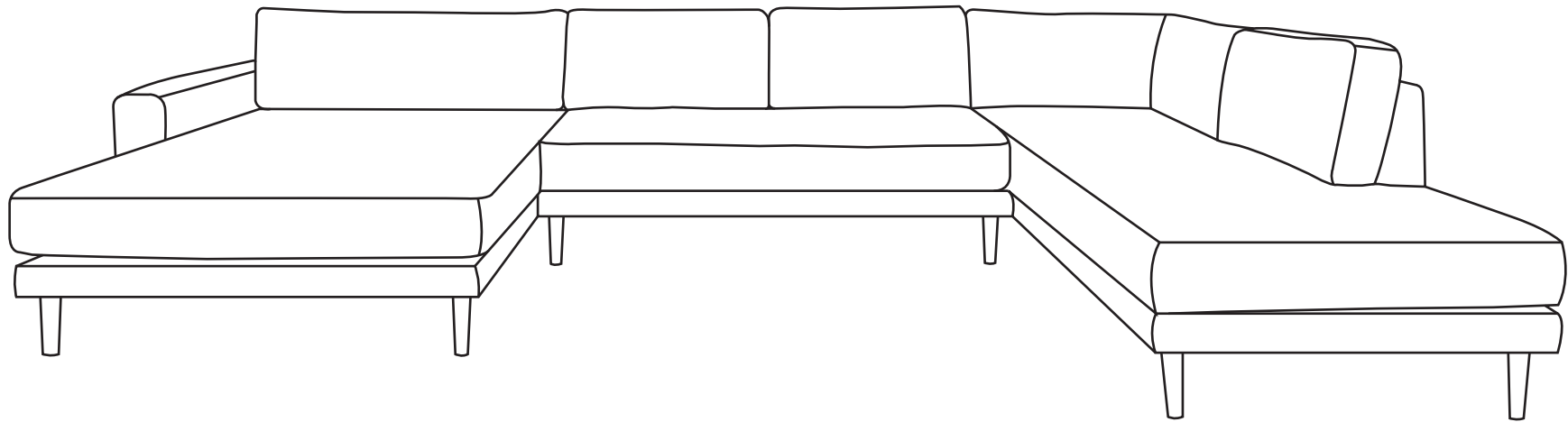
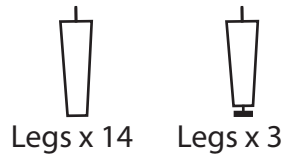


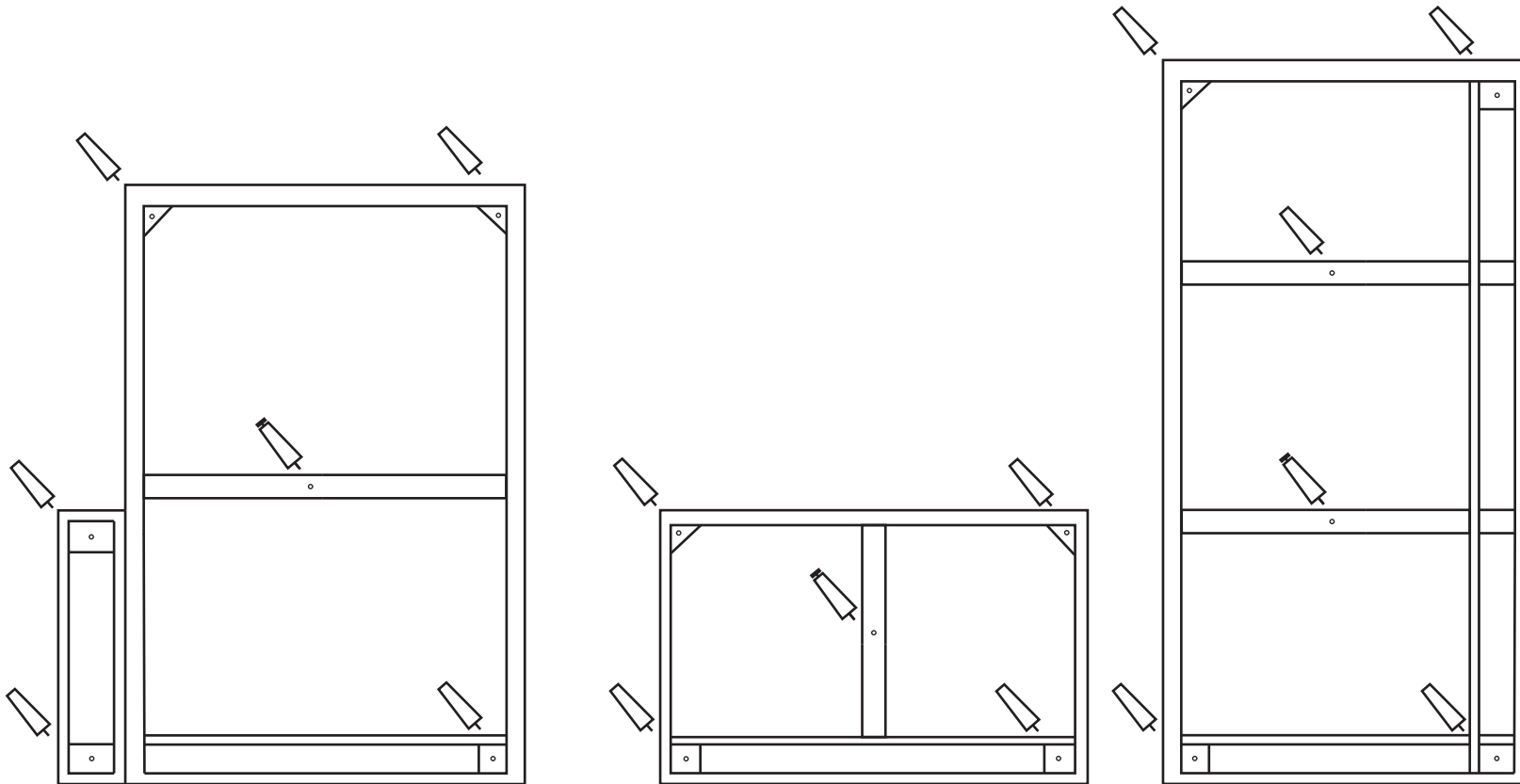
# ASSEMBLY INSTRUCTION

## LIDO U-SOFA

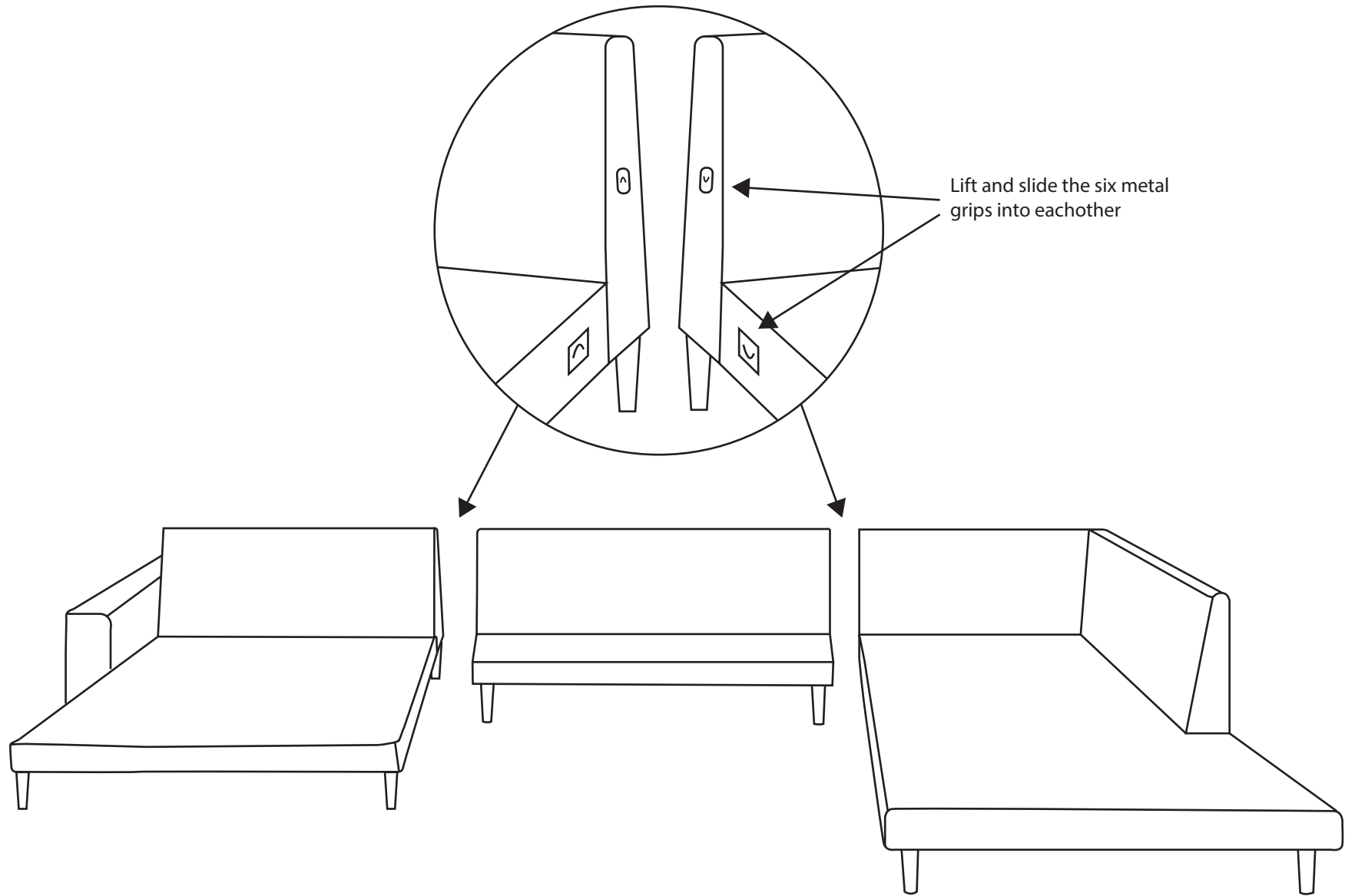




1 Screw the legs on to the sofa

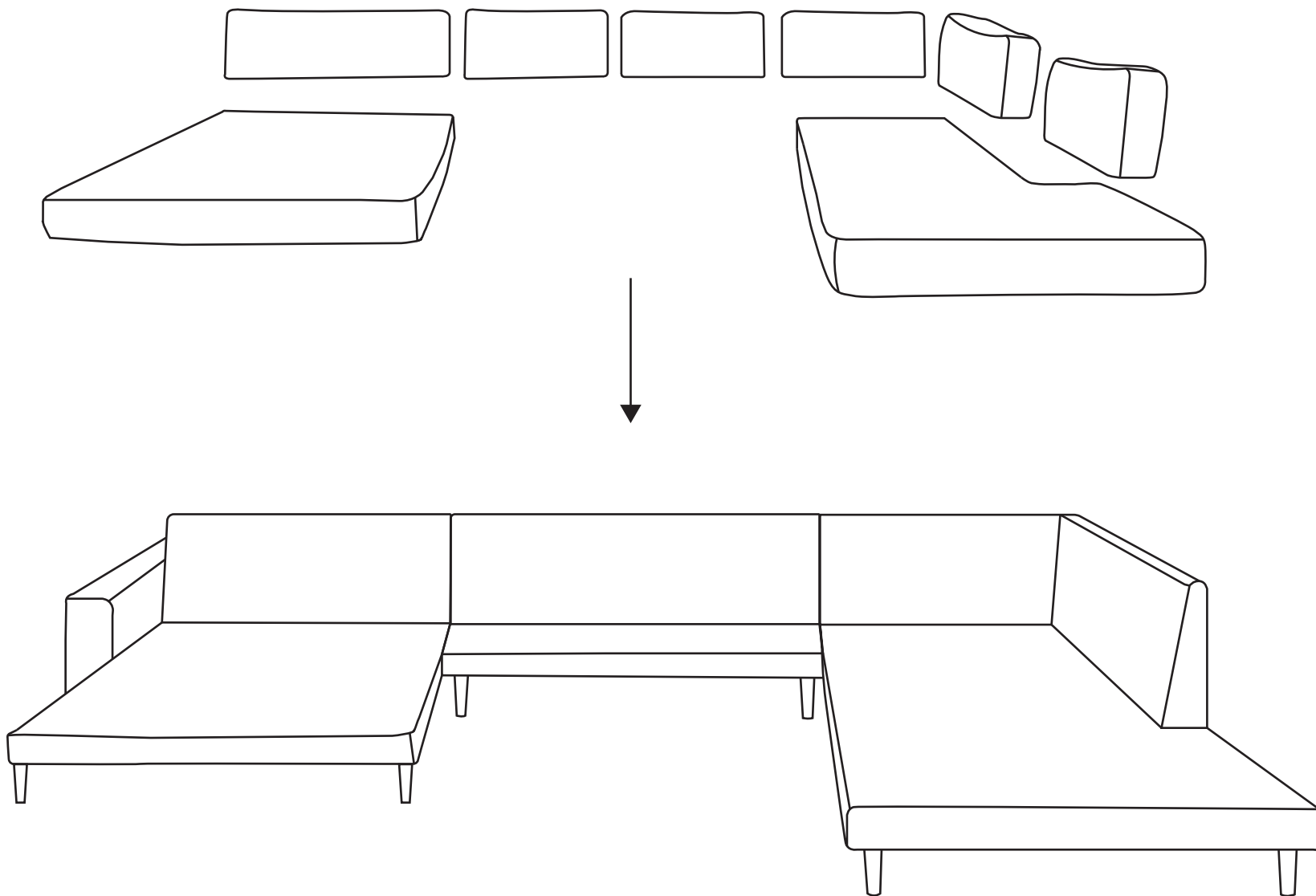


2

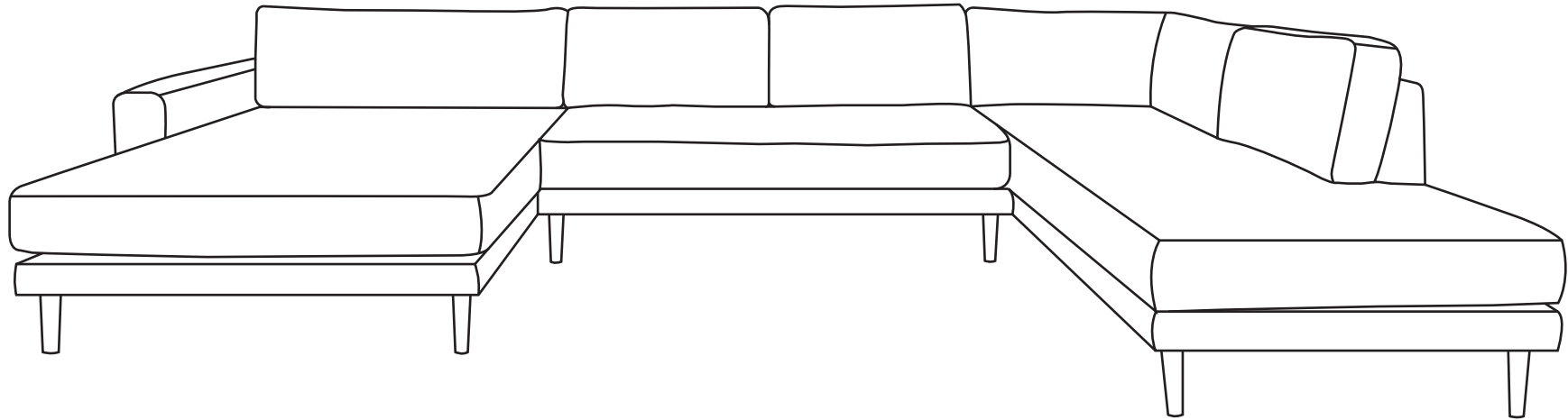


3

Place the cushions in the sofa



4



The fabric is non-washable and non-removable.