

ASSEMBLY INSTRUCTIONS

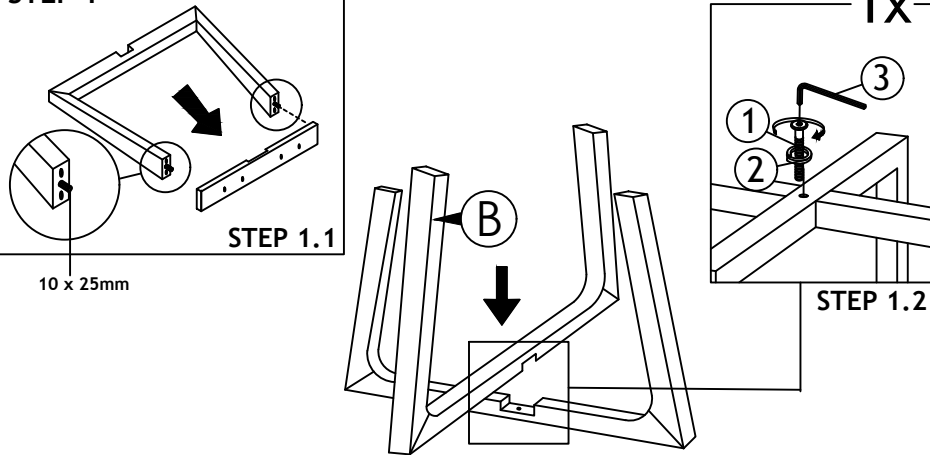
Read this instruction carefully. Refer hardware and furniture parts list for guidance. Be sure all parts are complete, before assembling. Place all wooden furniture part on a clean and flat soft surface to prevent scratches. Refer steps provided as assembling guide.

CAUTIONS :

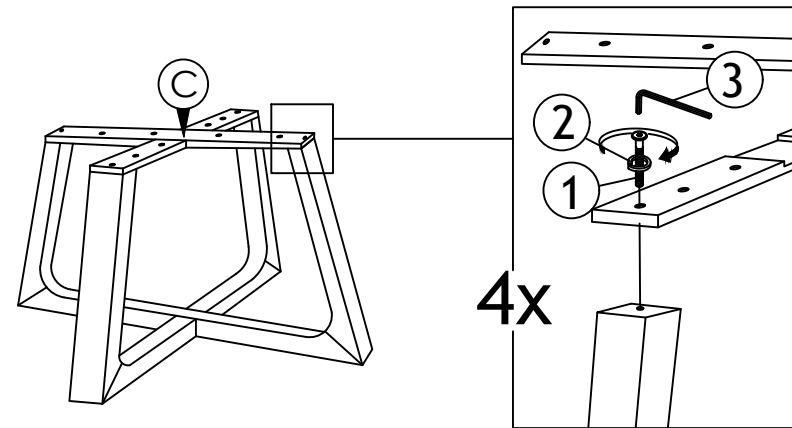
1. Do not **FULLY-TIGHTEN** the nuts or nut bolts until all are in place.
2. To prevent thread damage. Ensure that nuts or nut bolts are not over-tighten.
3. Hardware are to be kept out of reach from children.

PART LIST			HARDWARE LIST		
ITEM	DESCRIPTION	QTY	ITEM	DESCRIPTION	QTY
A	TABLE TOP	1 PC	1	JCBC SCREW M6 x 25MM	13 PCS
B	TABLE LEG (L & R)	2 PCS	2	SPRING WASHER 1/4"	13 PCS
C	LEG SUPPORT	2 PCS	3	ALLEN KEY M4 BALL SHAPE (LONG)	1 PC
			4	ADJUSTABLE GLIDE C83	4 PCS

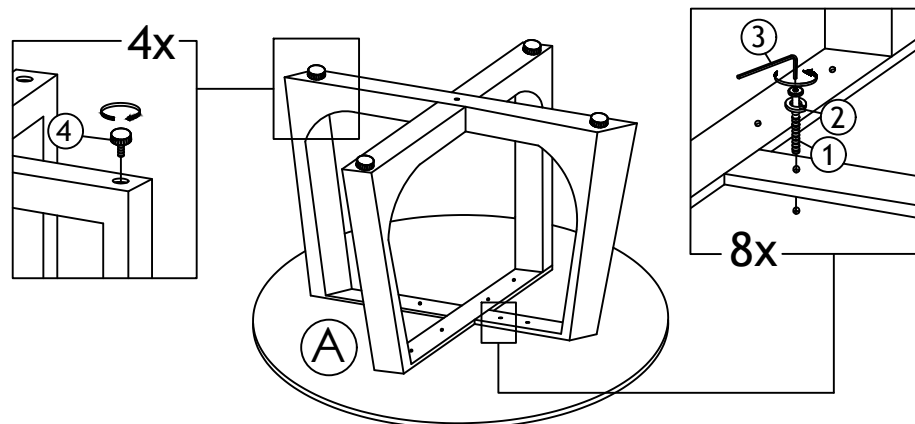
STEP 1



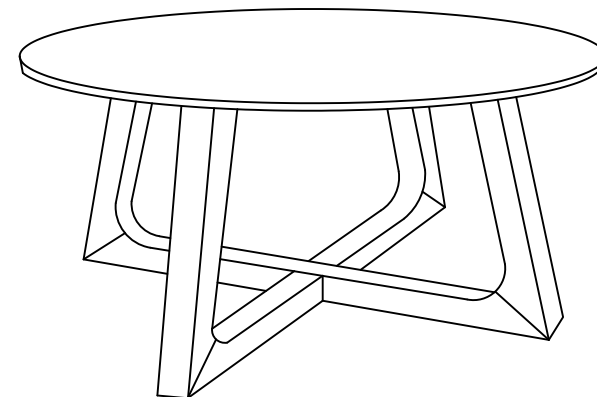
STEP 2



STEP 3



STEP 4



ASSEMBLY COMPLETELY