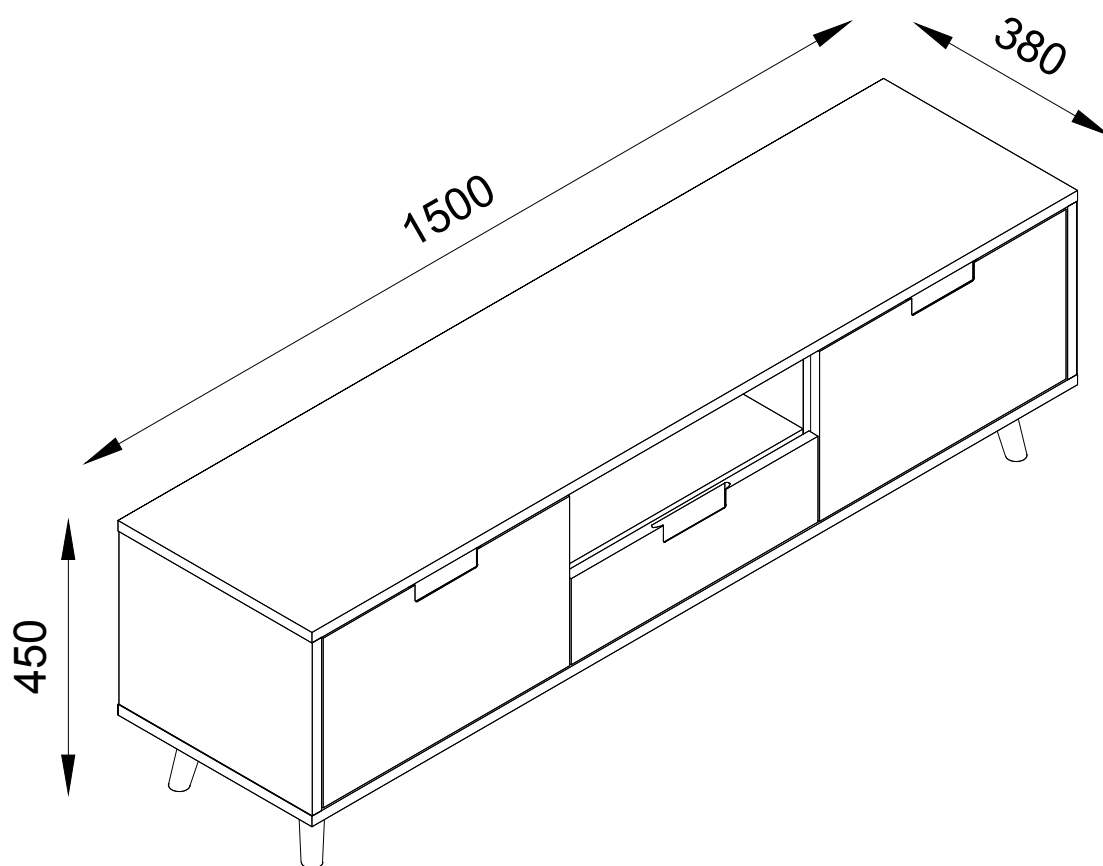
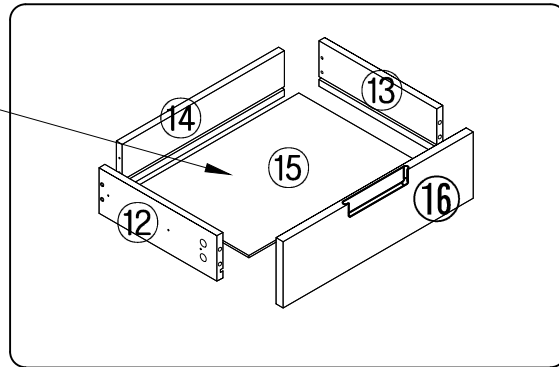
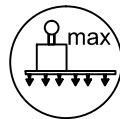
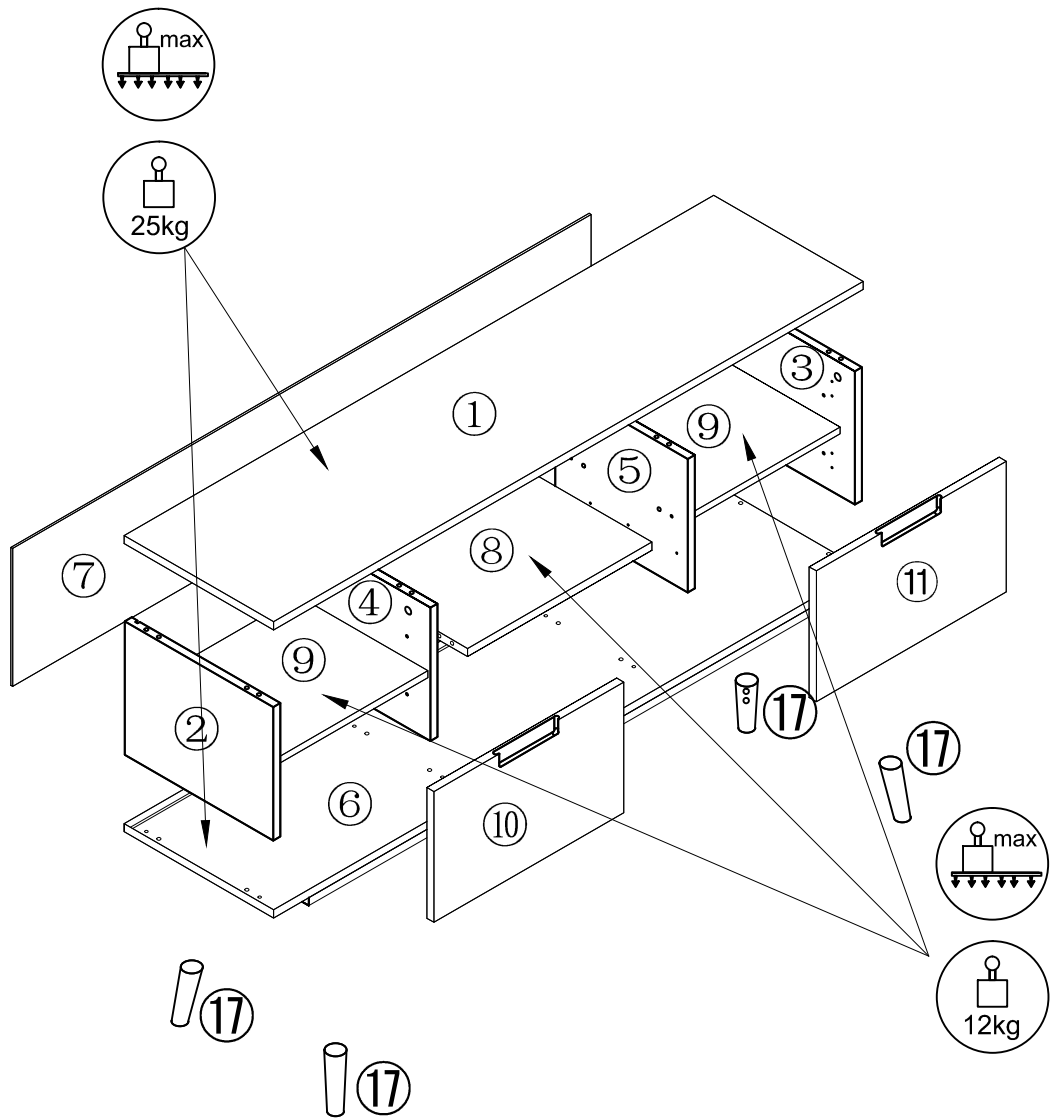


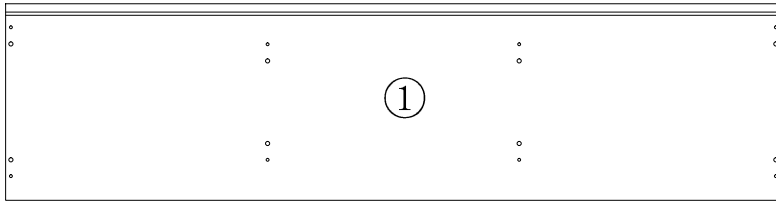
Copenhagen
TV-Bench

2501001

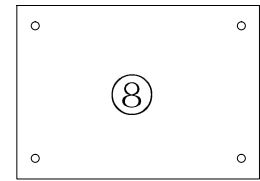
2501002



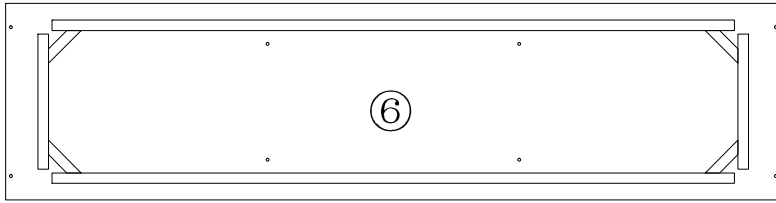




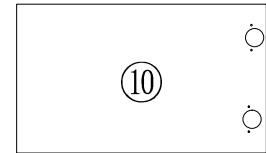
380x1500x18mm(x1)



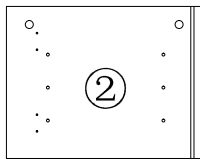
336x469x18mm(x1)



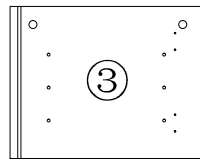
380x1500x18mm(x1)



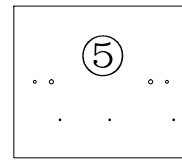
288x483x18mm(x1)



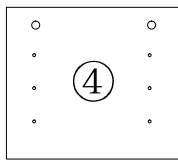
294x378x18mm(x1)



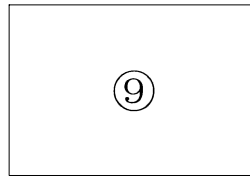
294x378x18mm(x1)



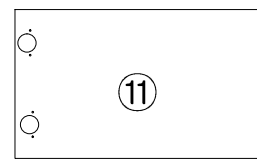
294x337x18mm(x1)



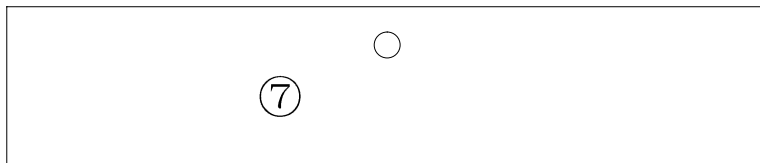
294x337x18mm(x1)



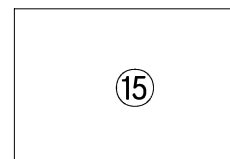
330x476x15mm(x1)



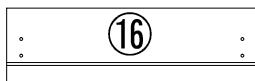
288x483x18mm(x1)



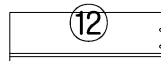
304x1472x3.9mm(x1)



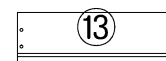
295x423x3.9mm(x1)



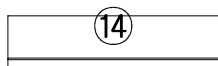
146x484x18mm(x1)



100x300x15mm(x1)






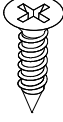

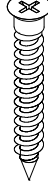
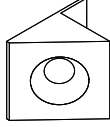
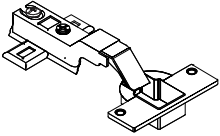
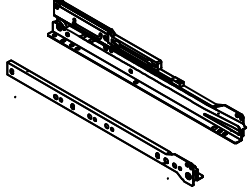
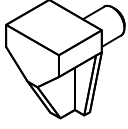




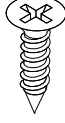
100x300x15mm(x1)



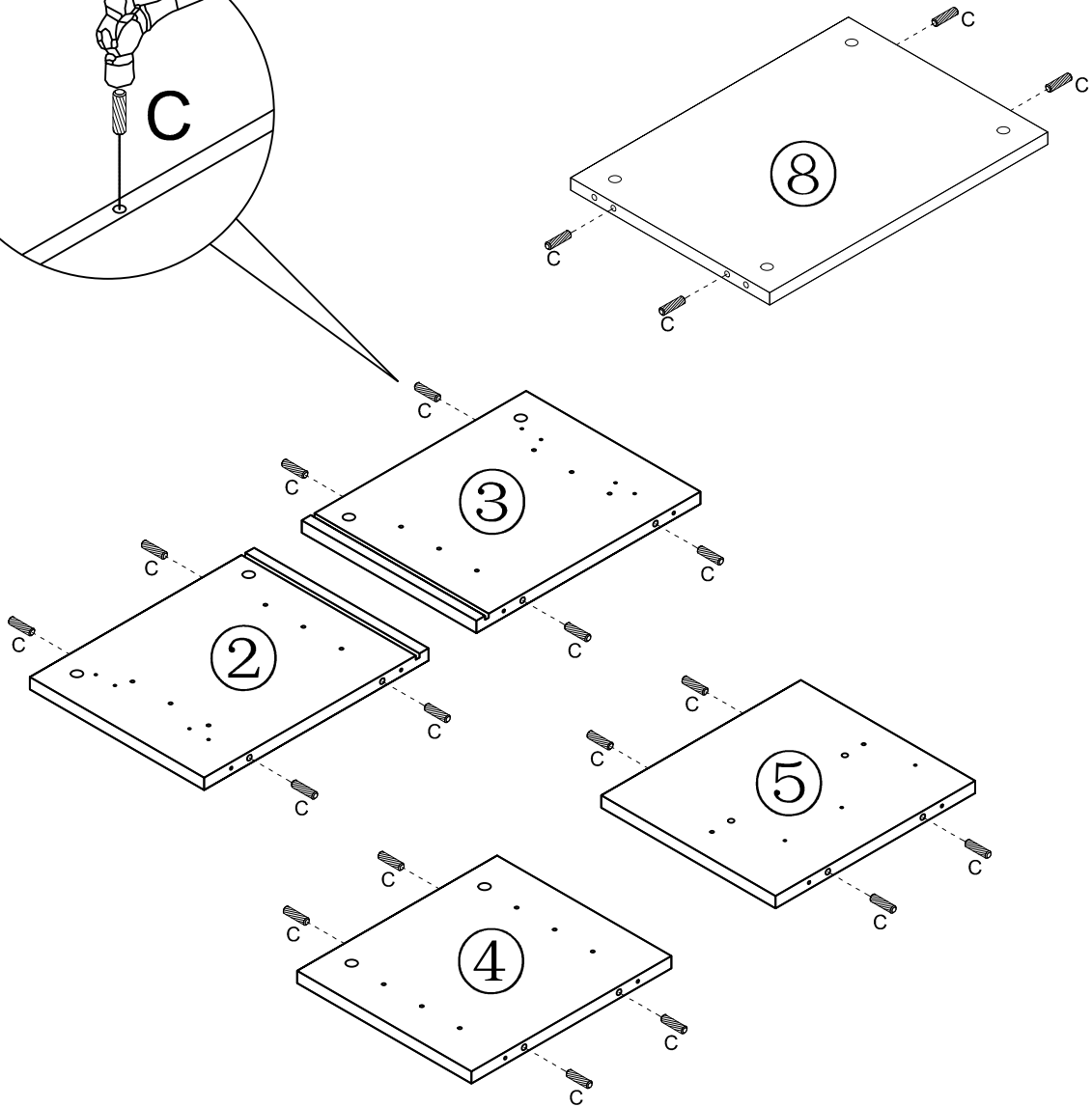
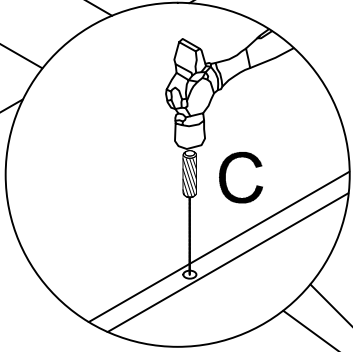
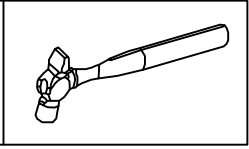
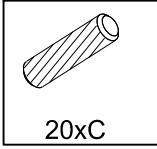
100x413x15mm(x1)



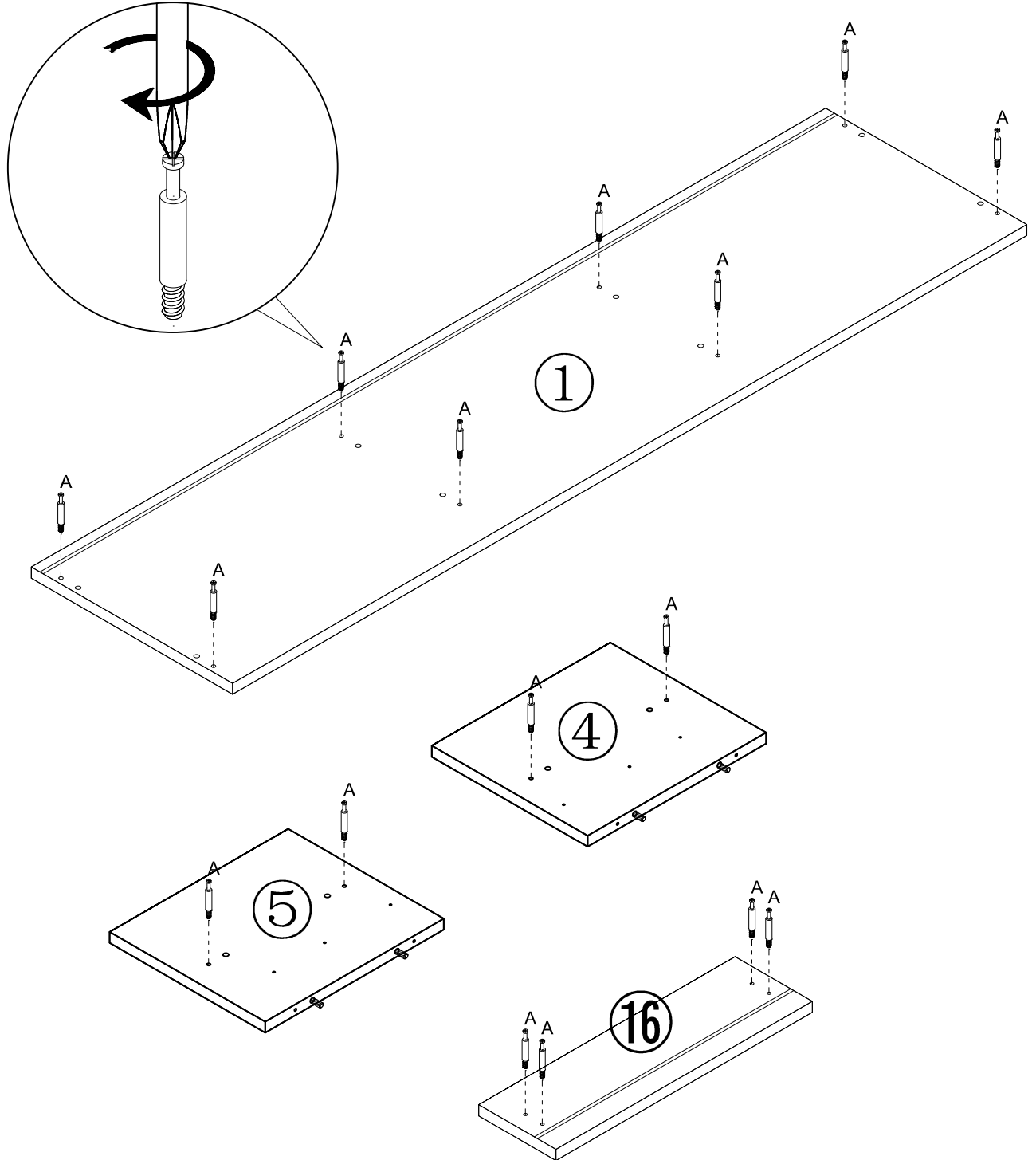
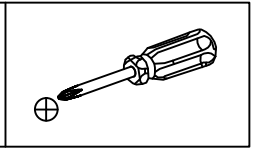
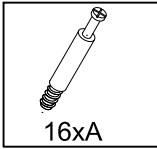
Ø40x120mm(x4)

 $\phi 7 \times 43 \text{mm}$ 16xA	 $\phi 15 \times 11.5 \text{mm}$ 16xB	 $\phi 8 \times 30 \text{mm}$ 20xC	 $\phi 4 \times 16 \text{mm}$ 20xD
 $\phi 4 \times 30 \text{mm}$ 4xE	 $\phi 5 \times 38 \text{mm}$ 8xF	 4xG	 $\phi 35 \text{mm}$ 4xH
 L:300mm 1xJ	 $\phi 5 \text{mm}$ 8xK	 M6x70mm 8xL	 M4 1xM
 $\phi 18 \text{mm}$ 8xN	 $\phi 3.5 \times 12 \text{mm}$ 8xP	 $\phi 4 \times 20 \text{mm}$ 2xQ	

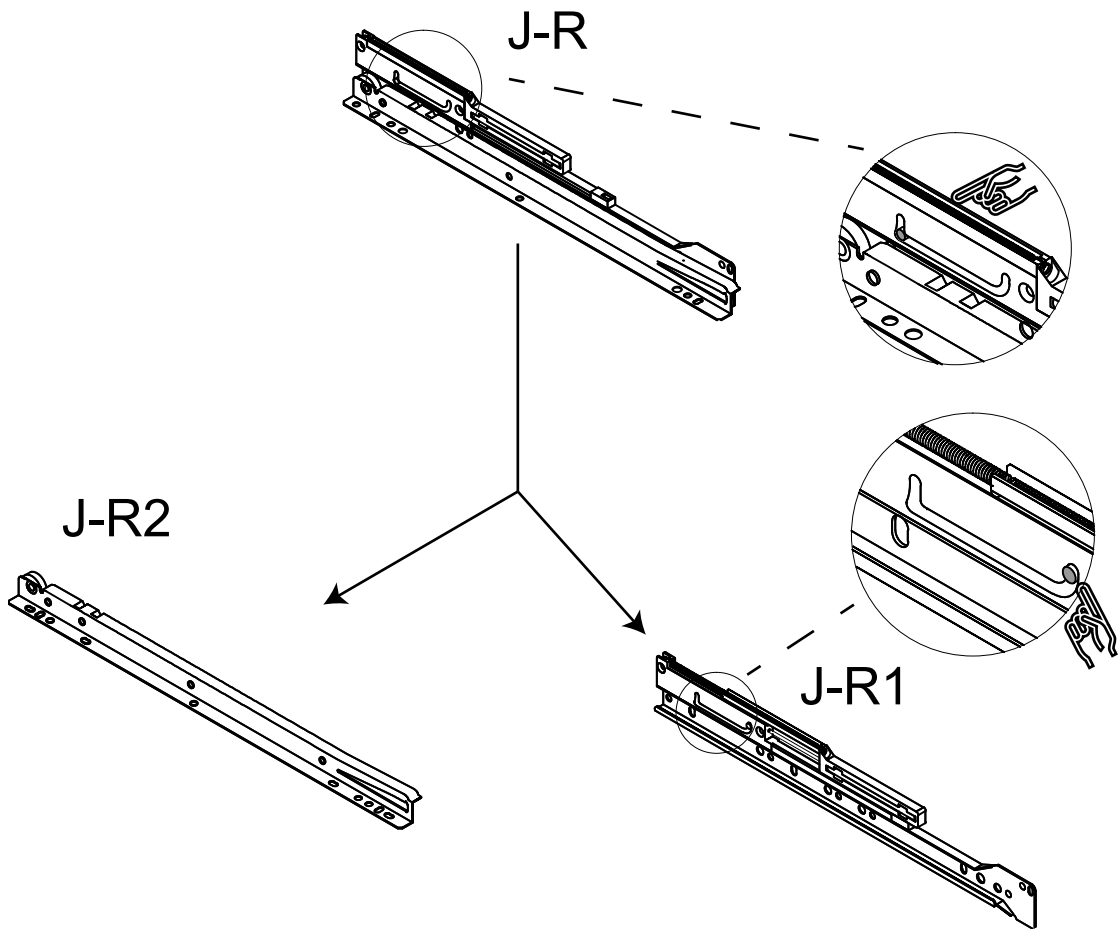
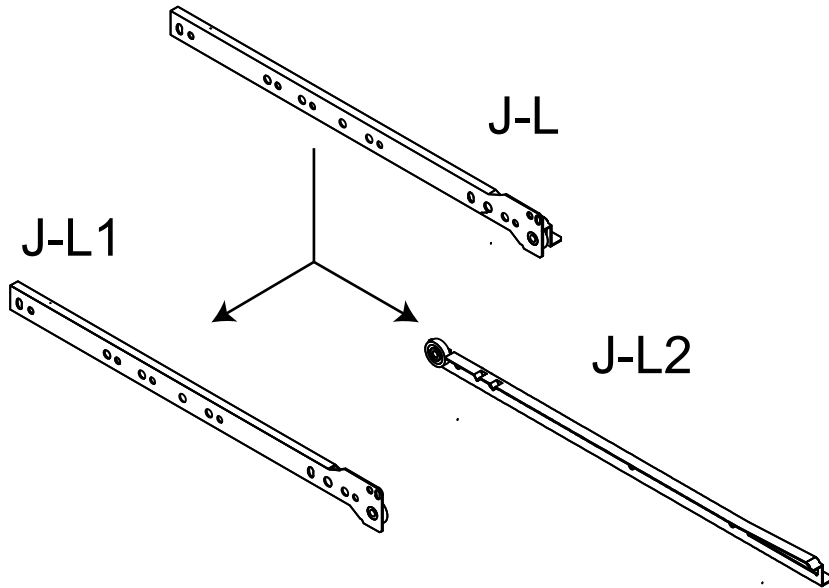
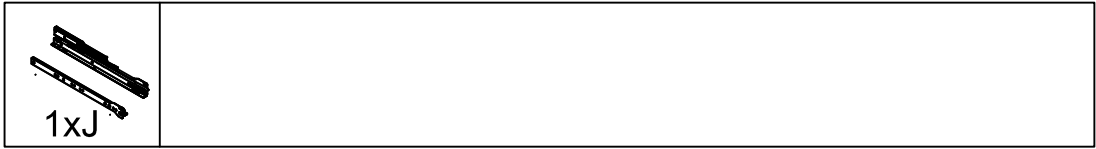
1



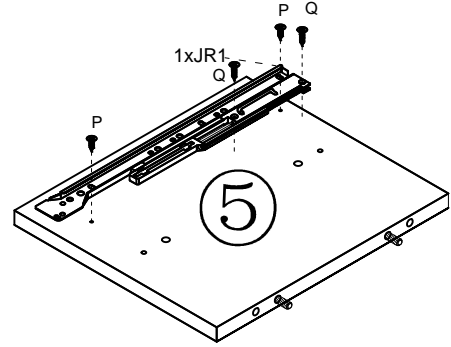
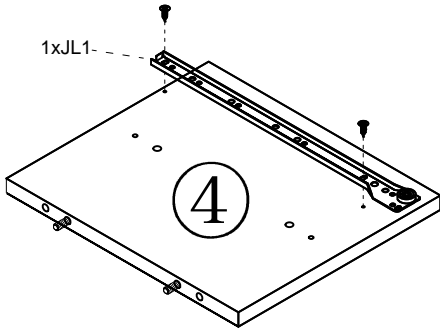
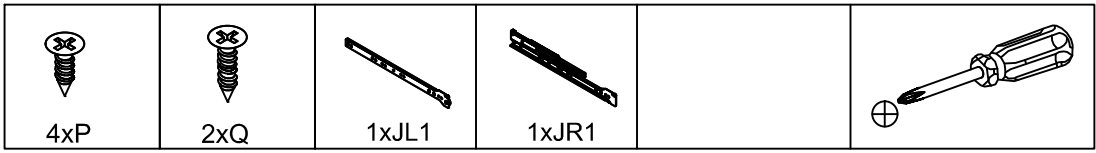
2



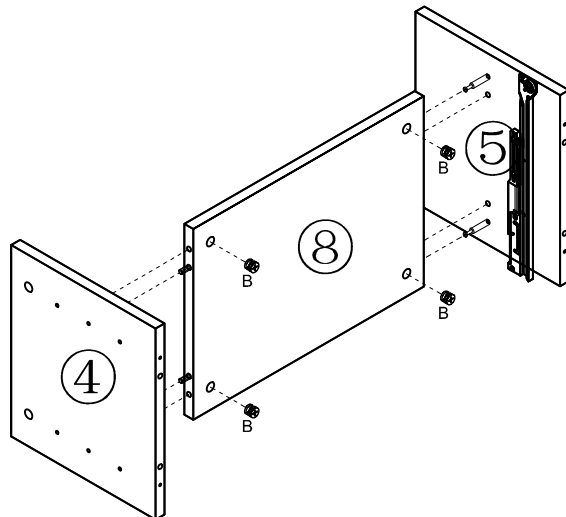
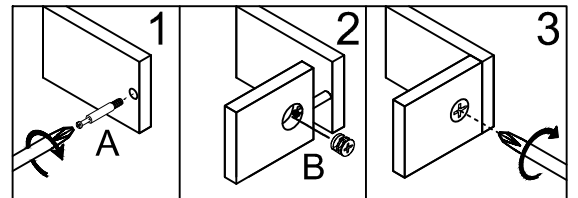
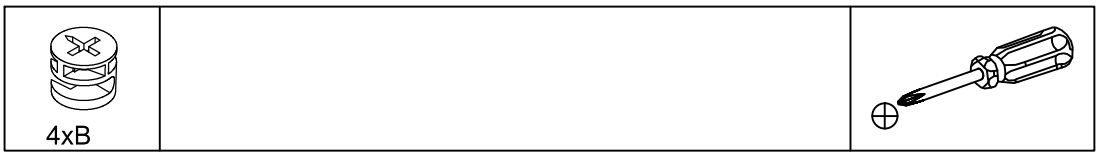
3



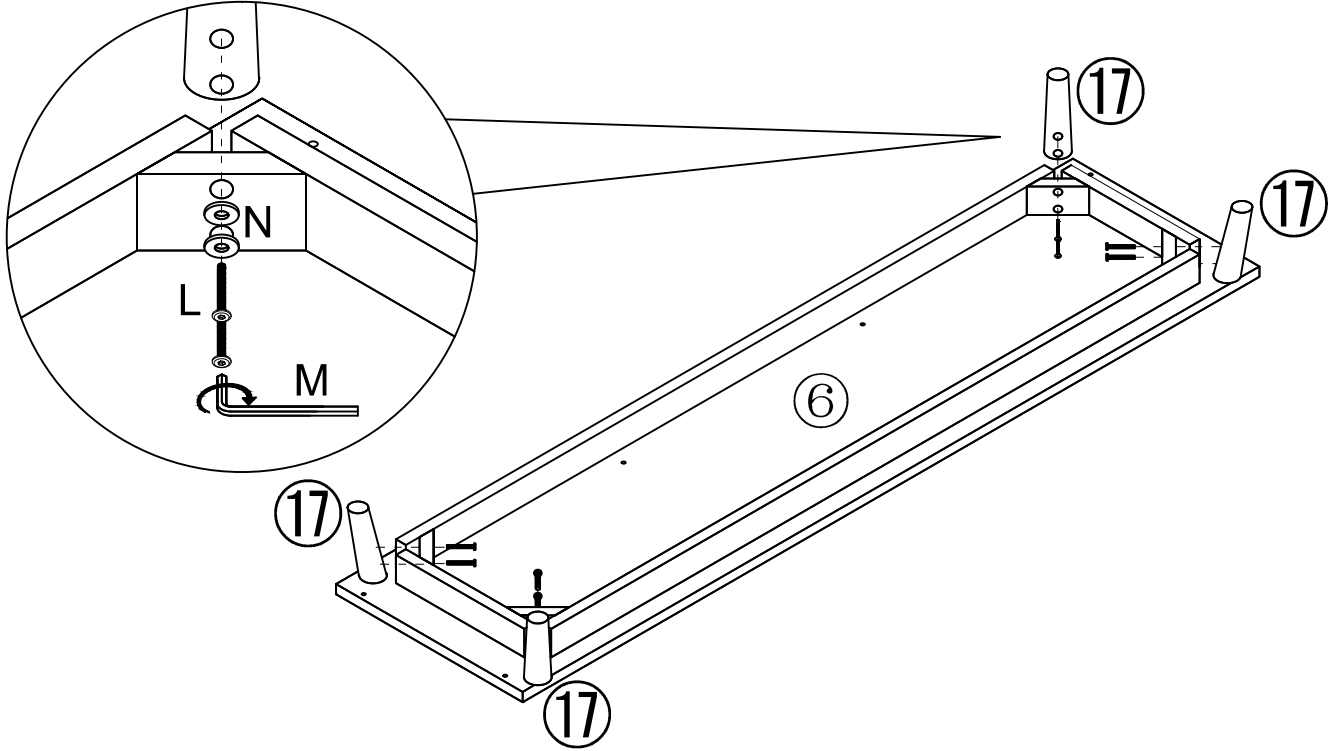
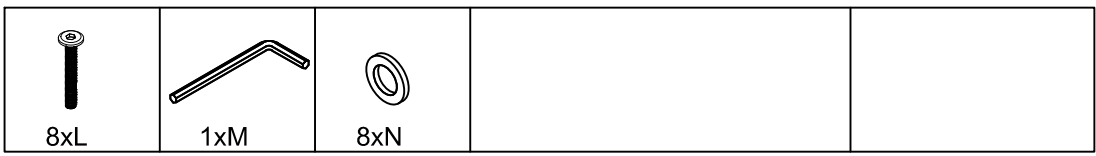
4



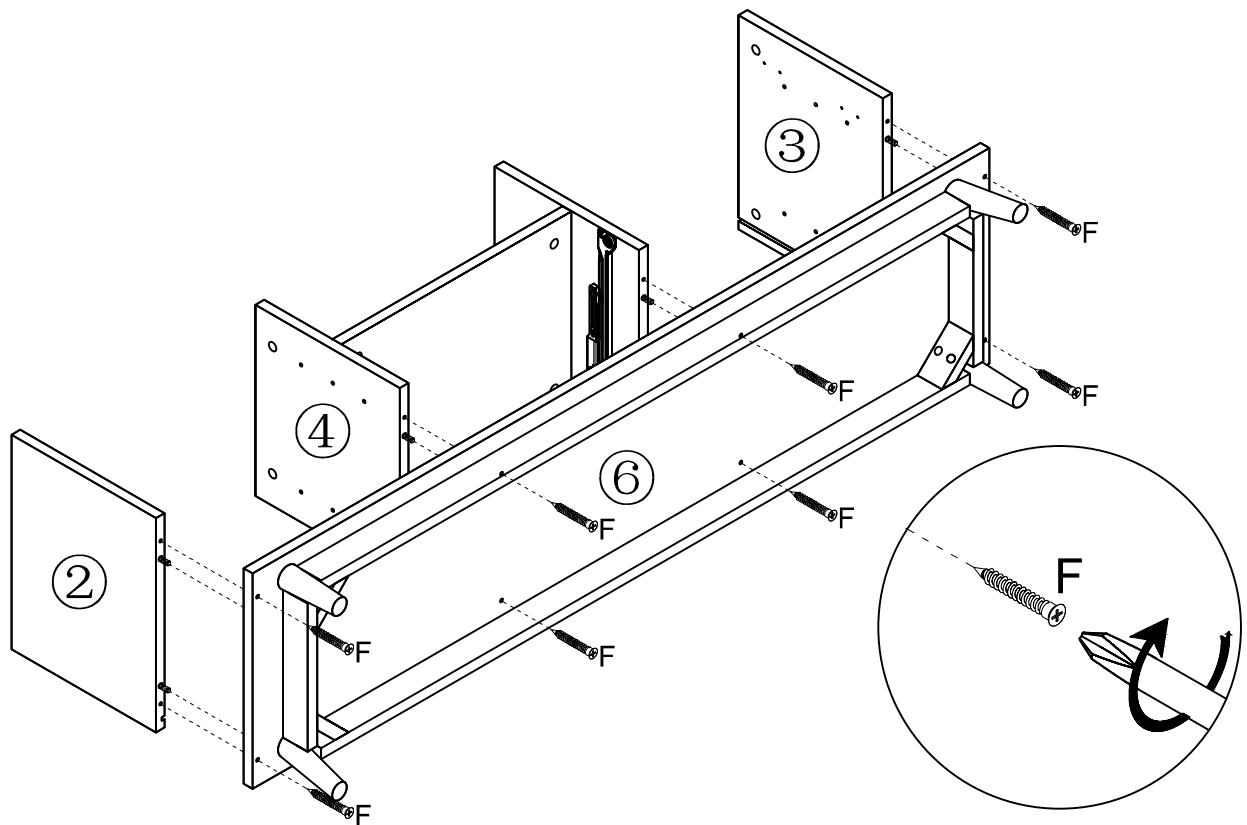
5



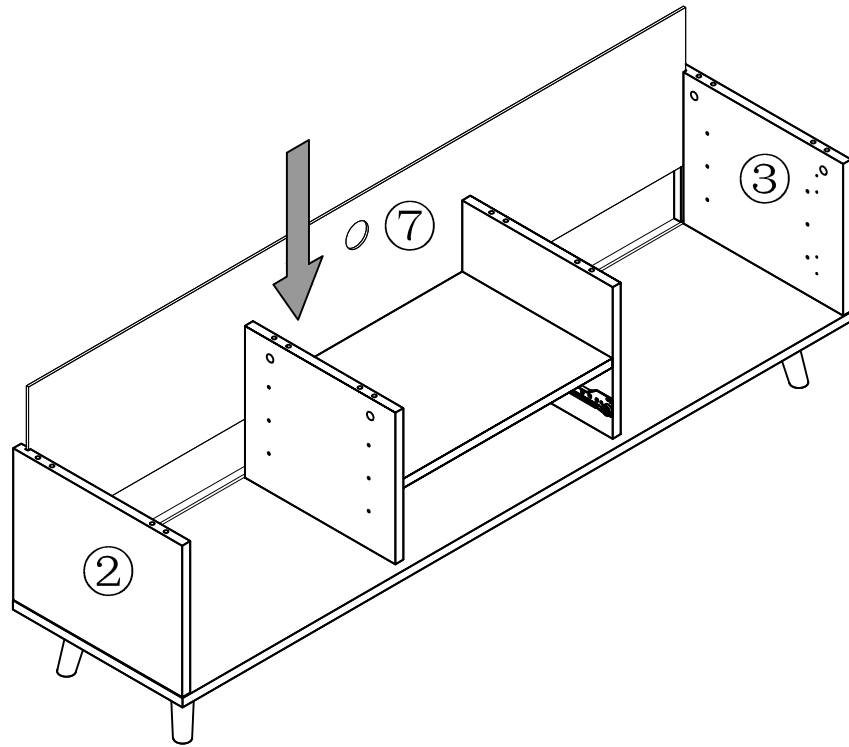
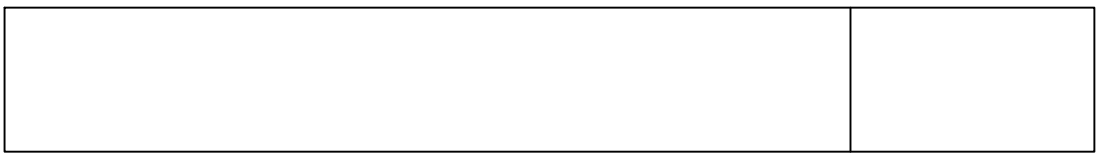
6



7



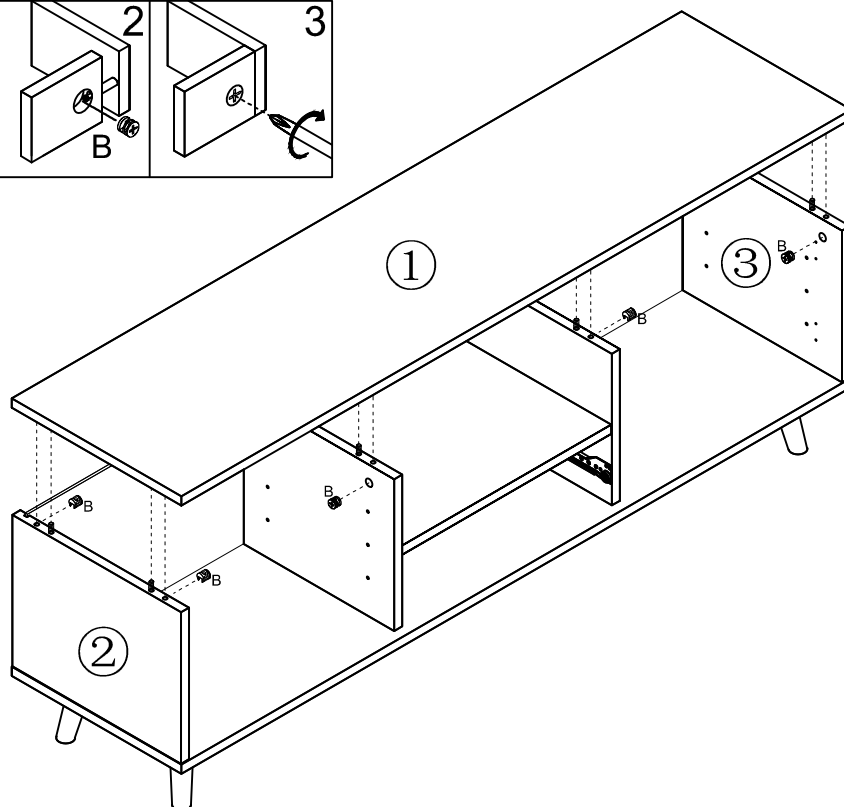
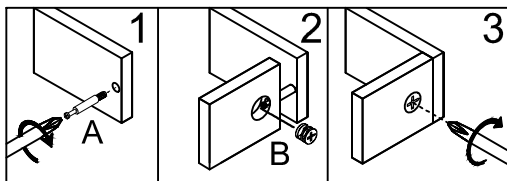
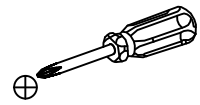
8



9



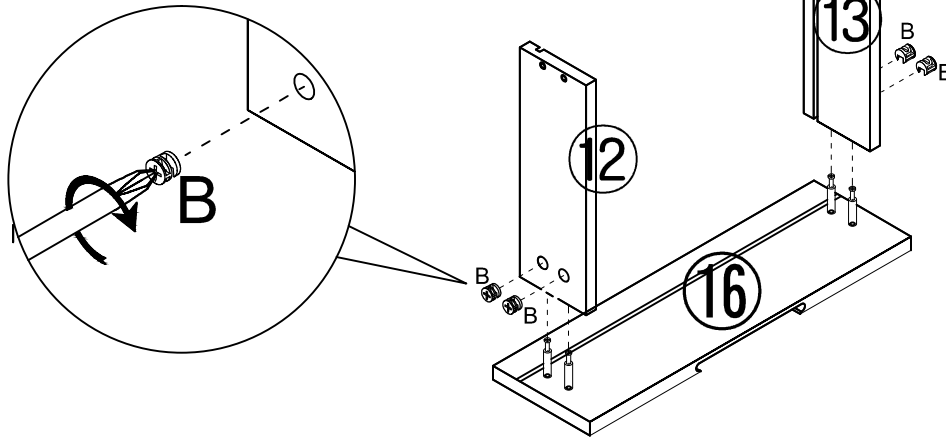
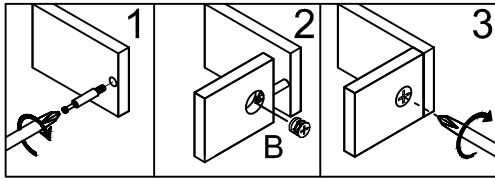
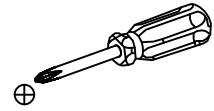
8xB



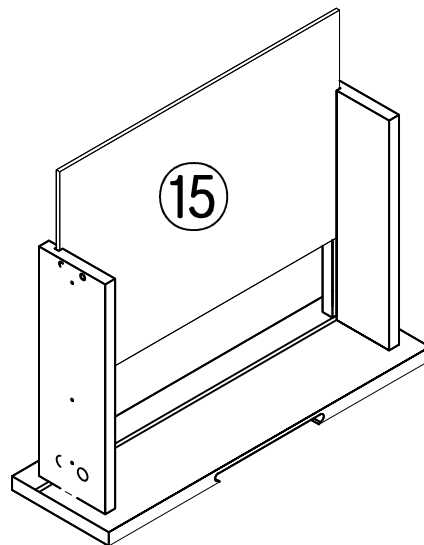
10



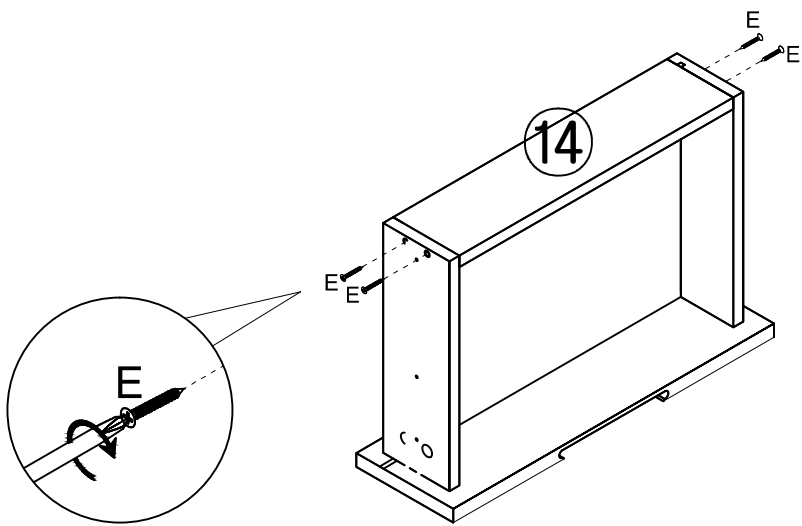
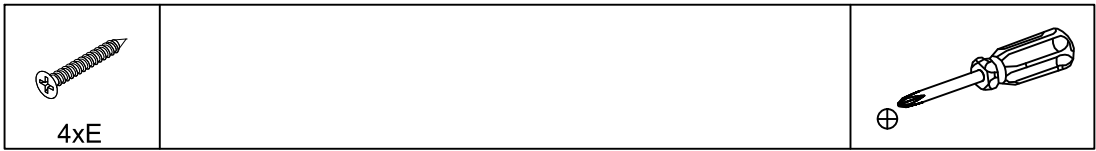
4xB



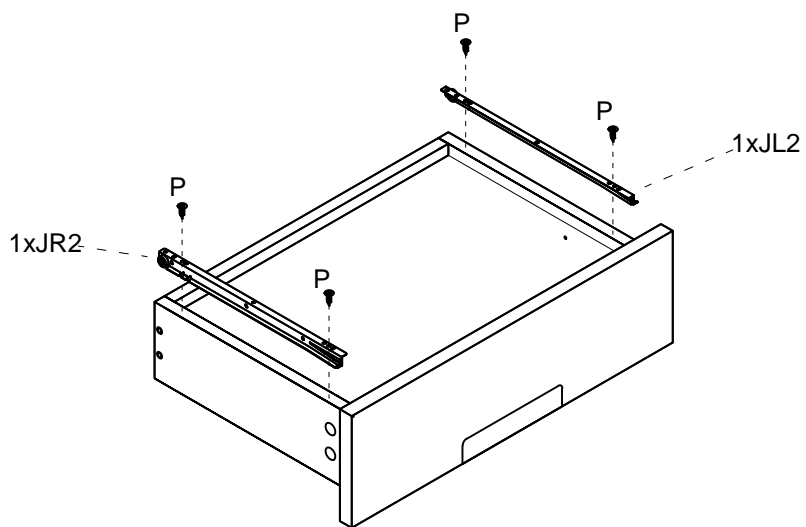
11



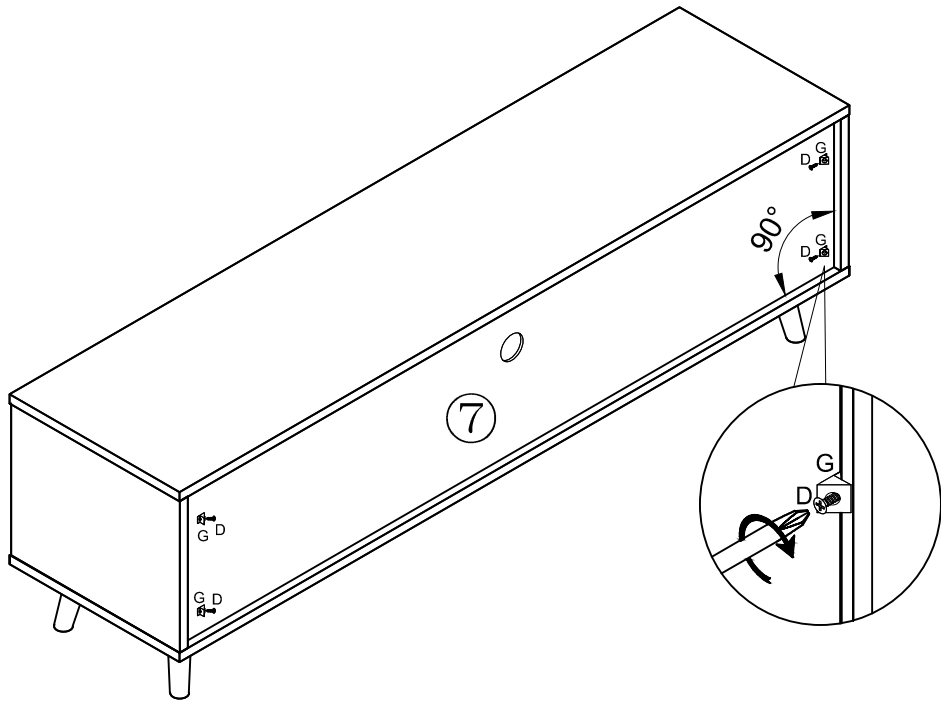
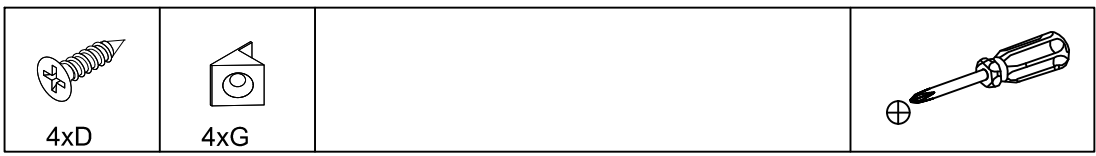
12



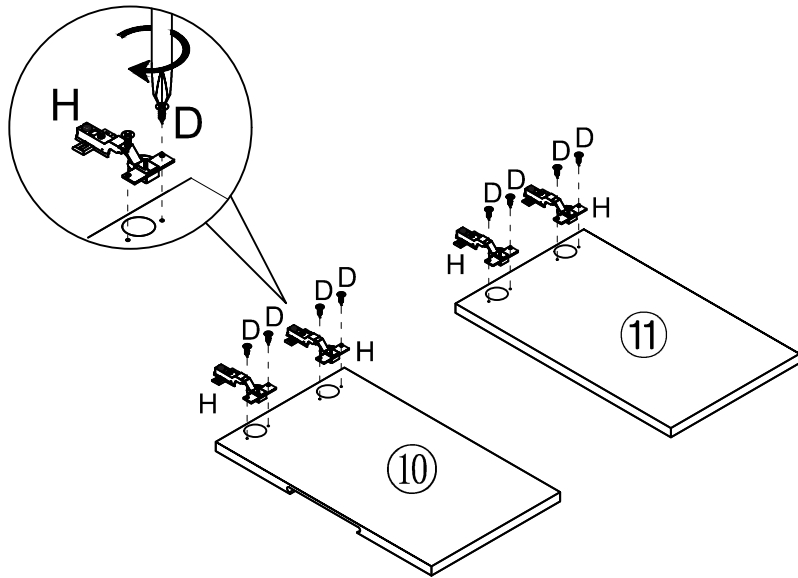
13



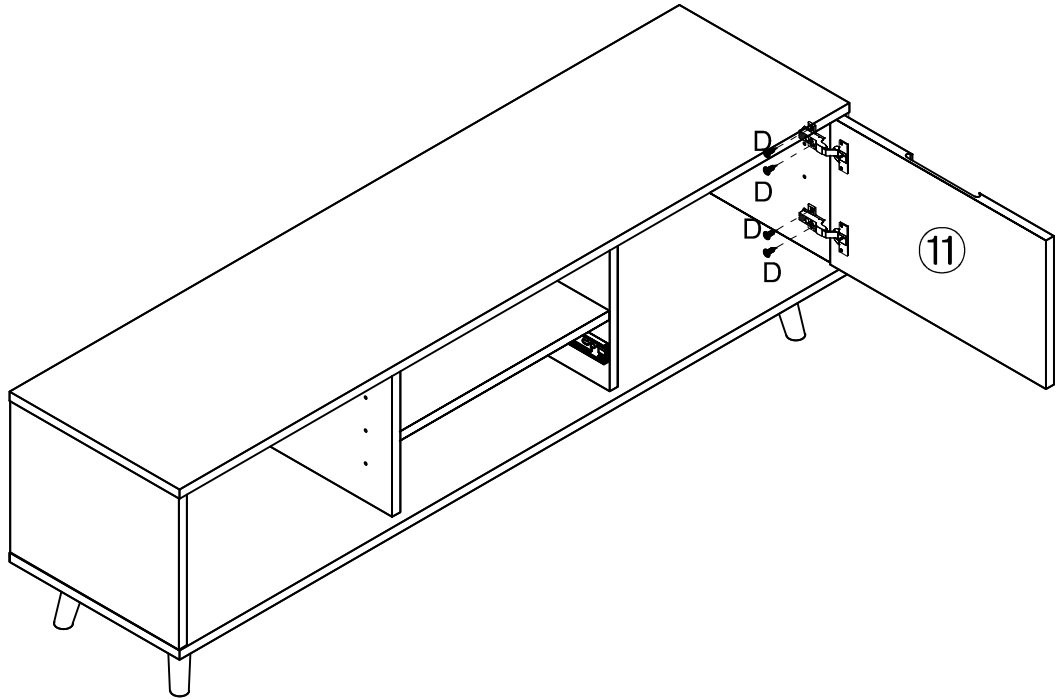
14



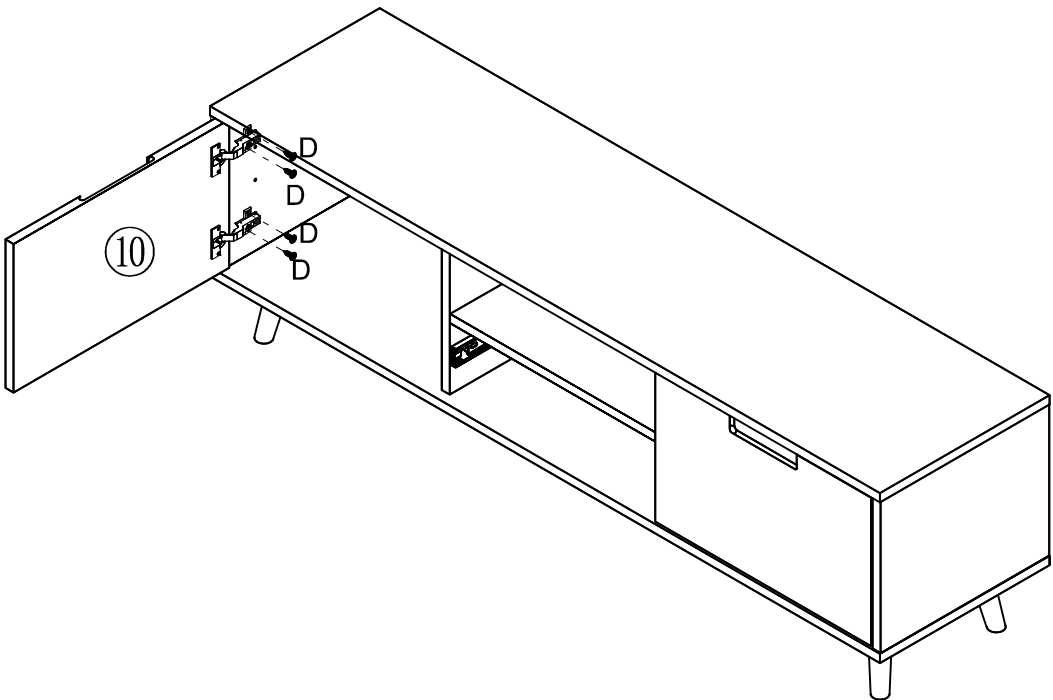
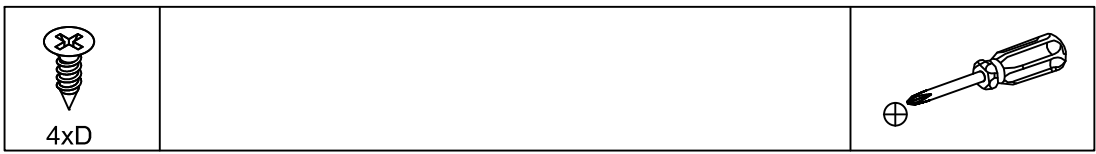
15



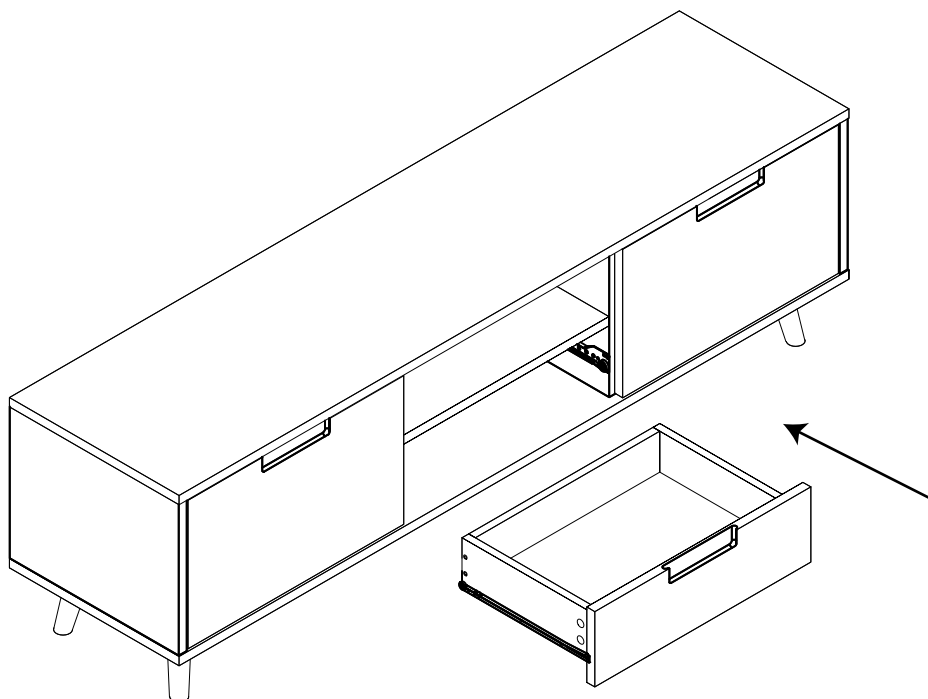
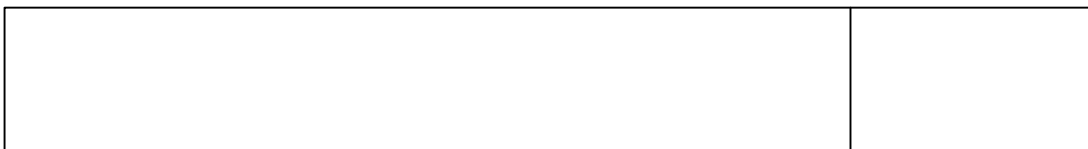
16



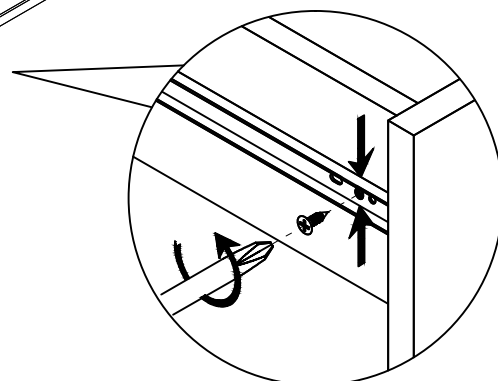
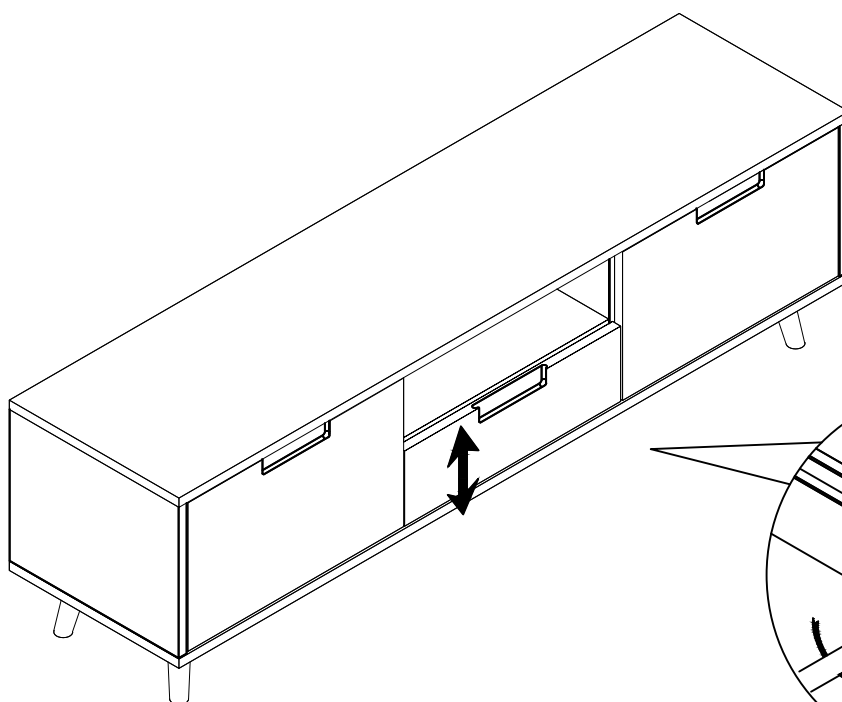
17

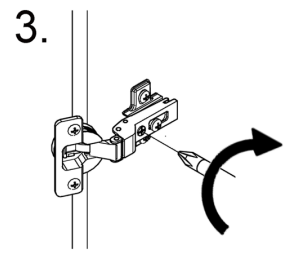
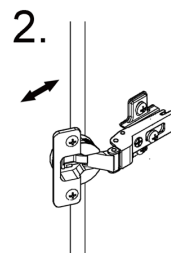
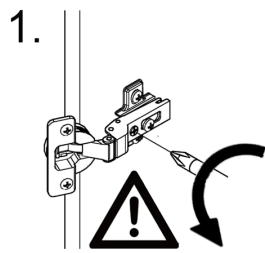
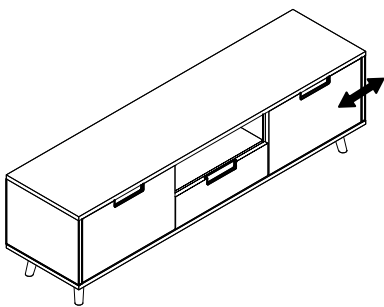
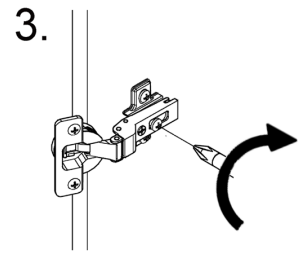
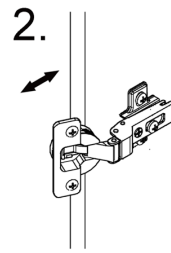
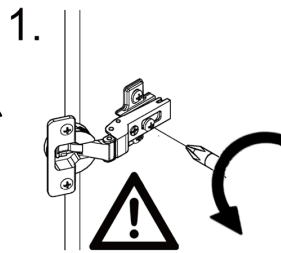
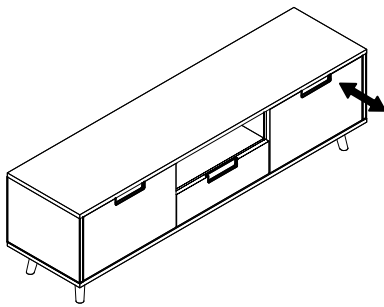
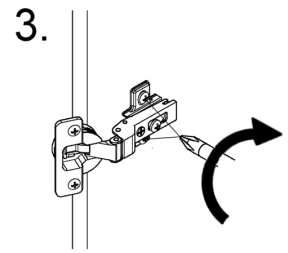
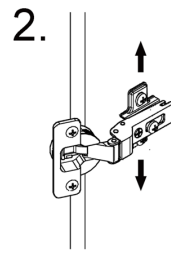
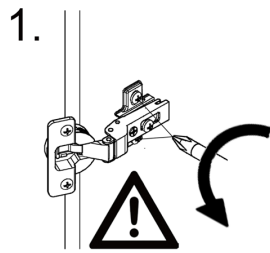
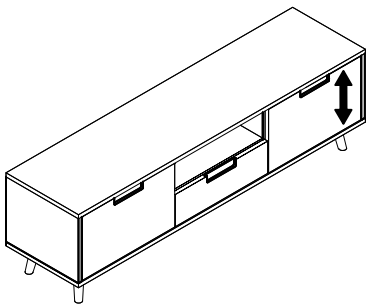


18



19

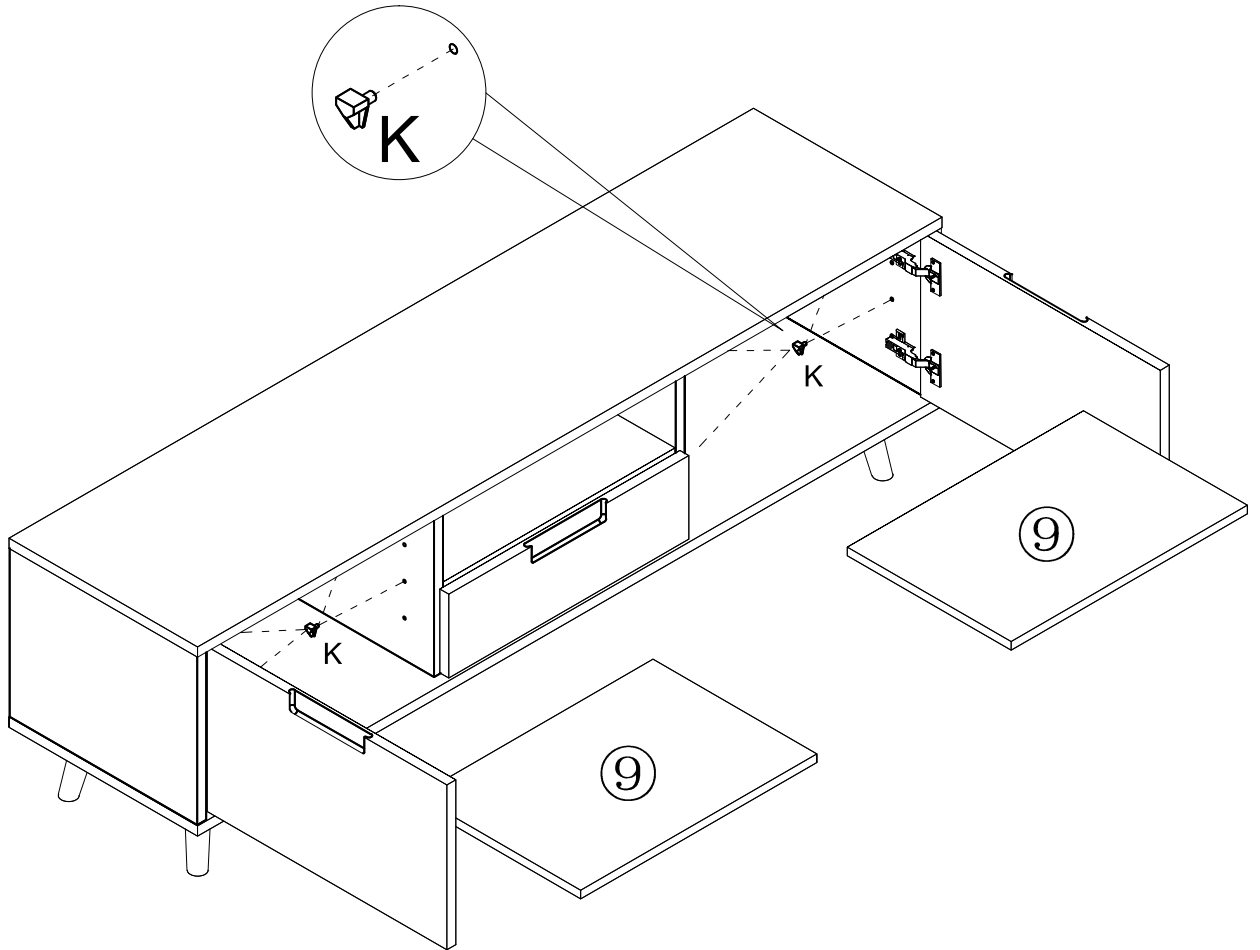




20



8xK



21

