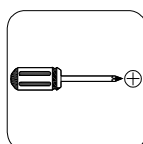
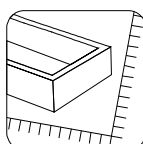
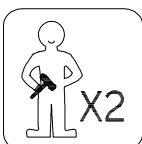
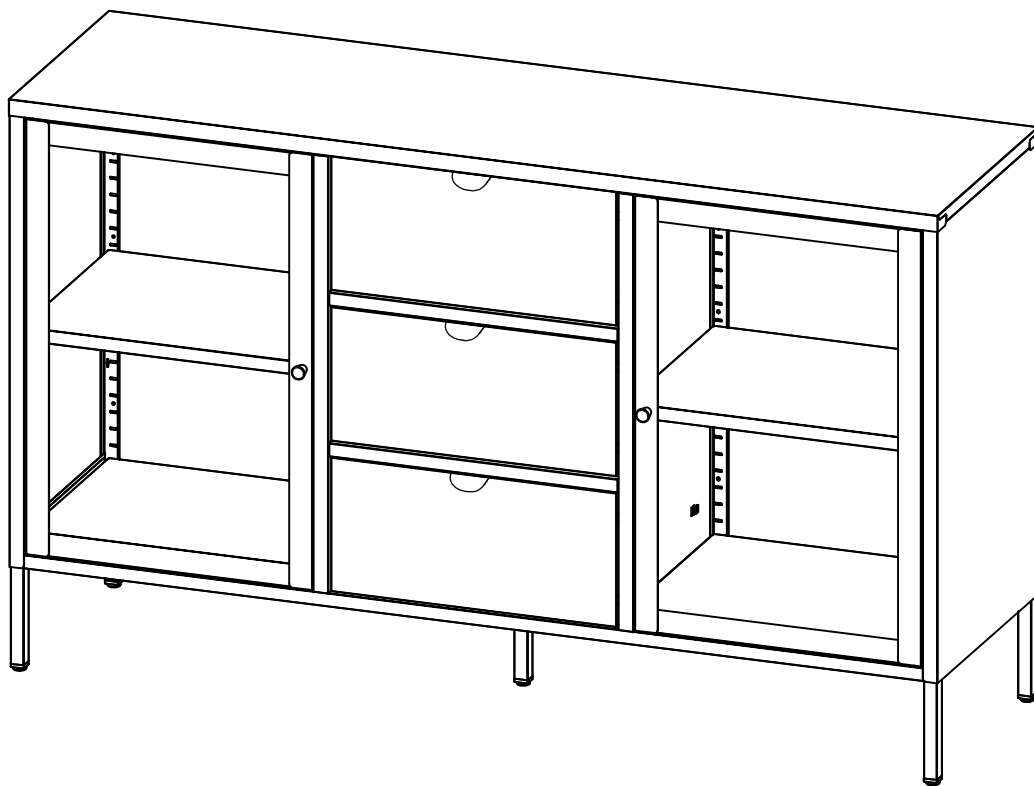
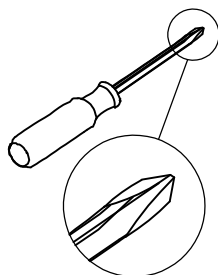
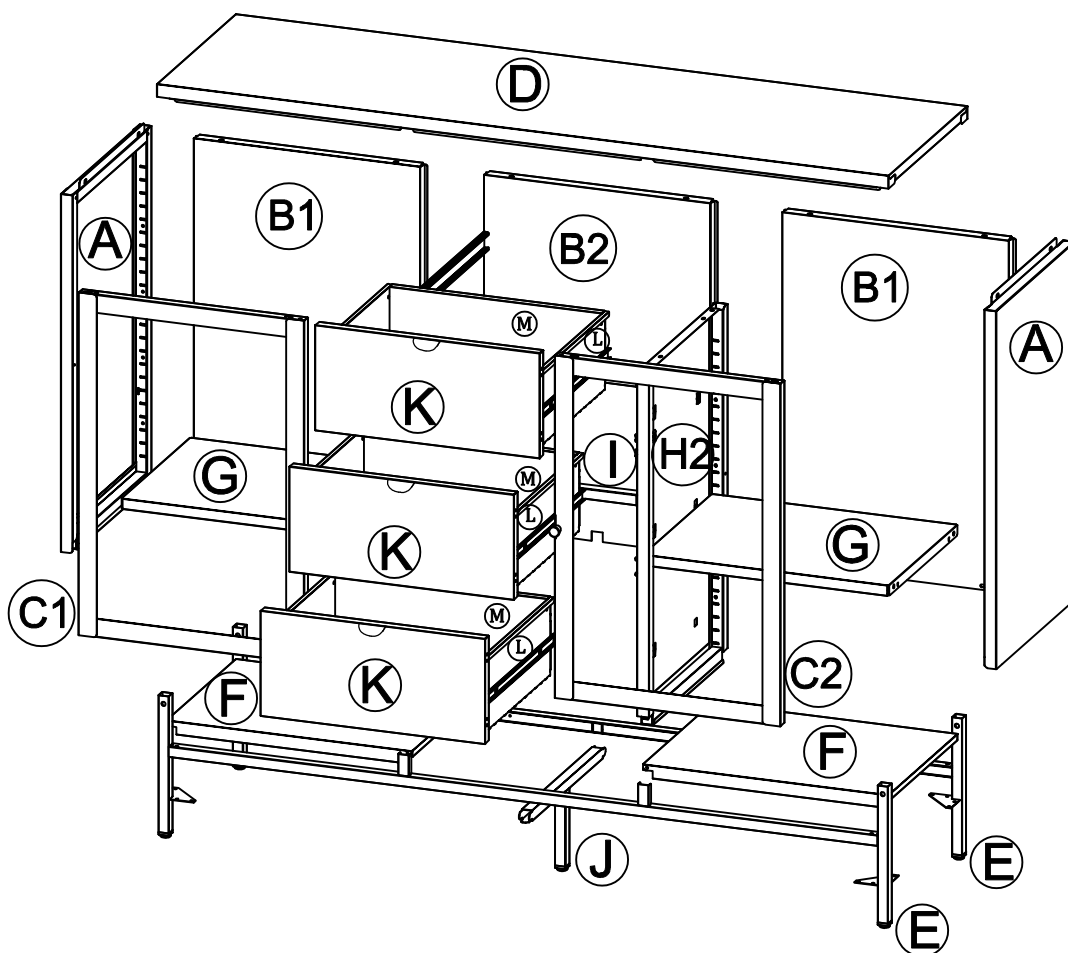


3001056

**HOUSE
NORDIC**

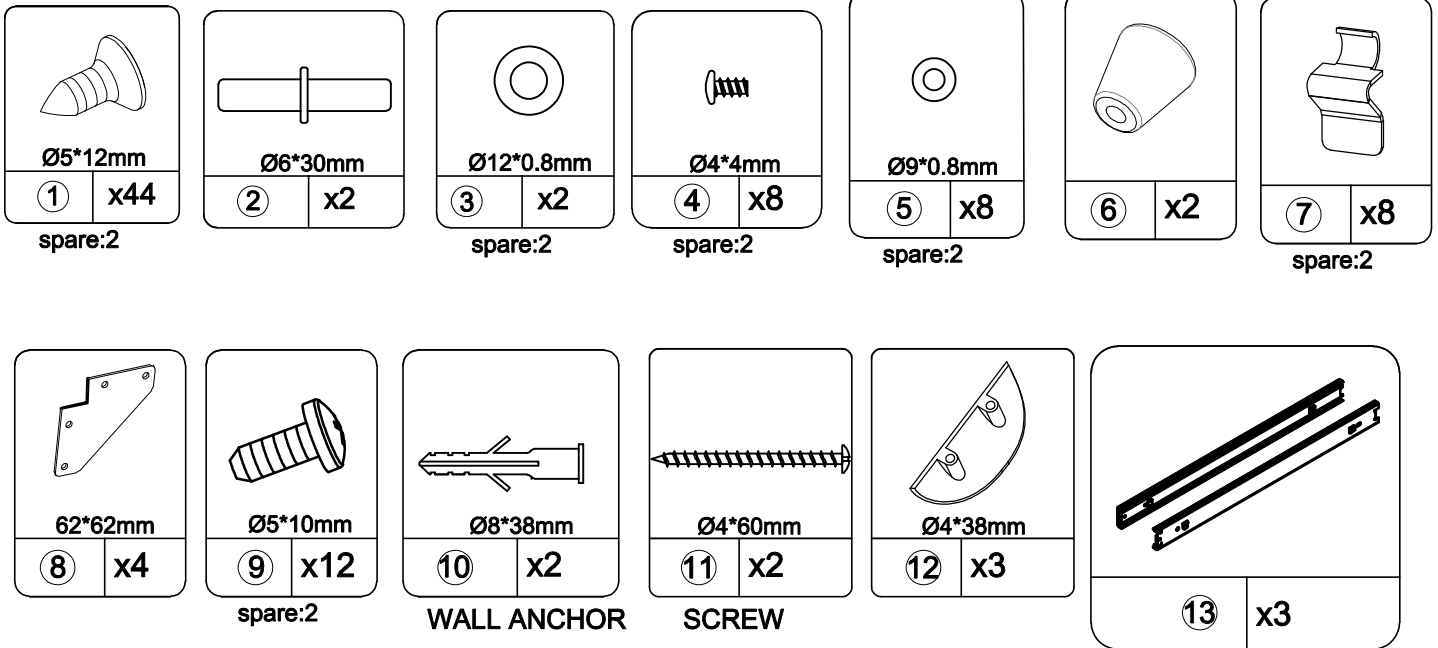
Sideboard, steel, 2 glass doors, 3 drawers, black, 140x40x85 cm



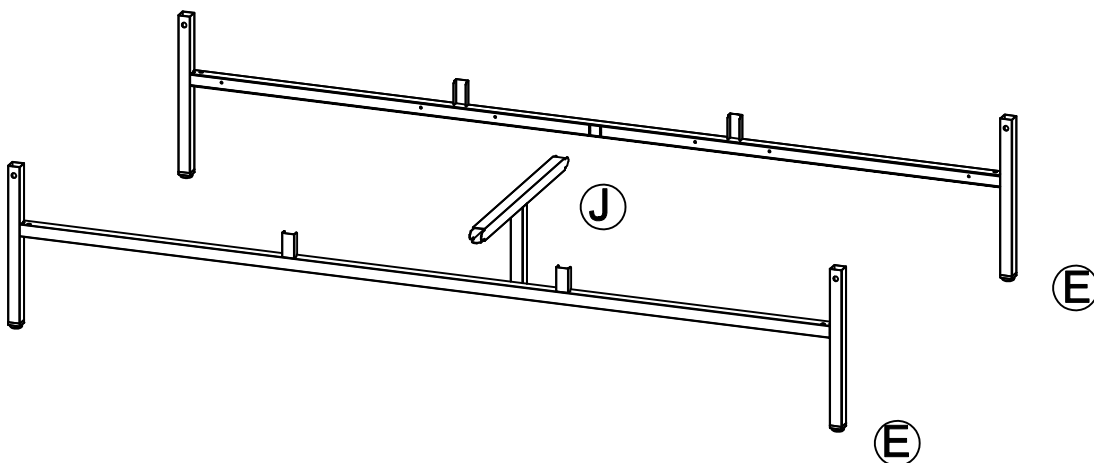


No.	Size	Qty
A	698x400x24mm	2
B1	669.5x434x23mm	2
B2	669.5x434x23mm	1
C1	651x432.5x20mm	1
C2	651x432.5x20mm	1
D	1401.5x402x38mm	1
E	1396.5x260x20mm	2
F	479x351x25mm	2
G	477x352x20mm	2
H1	400*676x23mm	1
H2	400*676x23mm	1
I	455.5x22x20mm	2
J	389*155x20mm	1
K	432*202*20mm	3
L	708*360*10mm	3
M	407x149x15mm	3

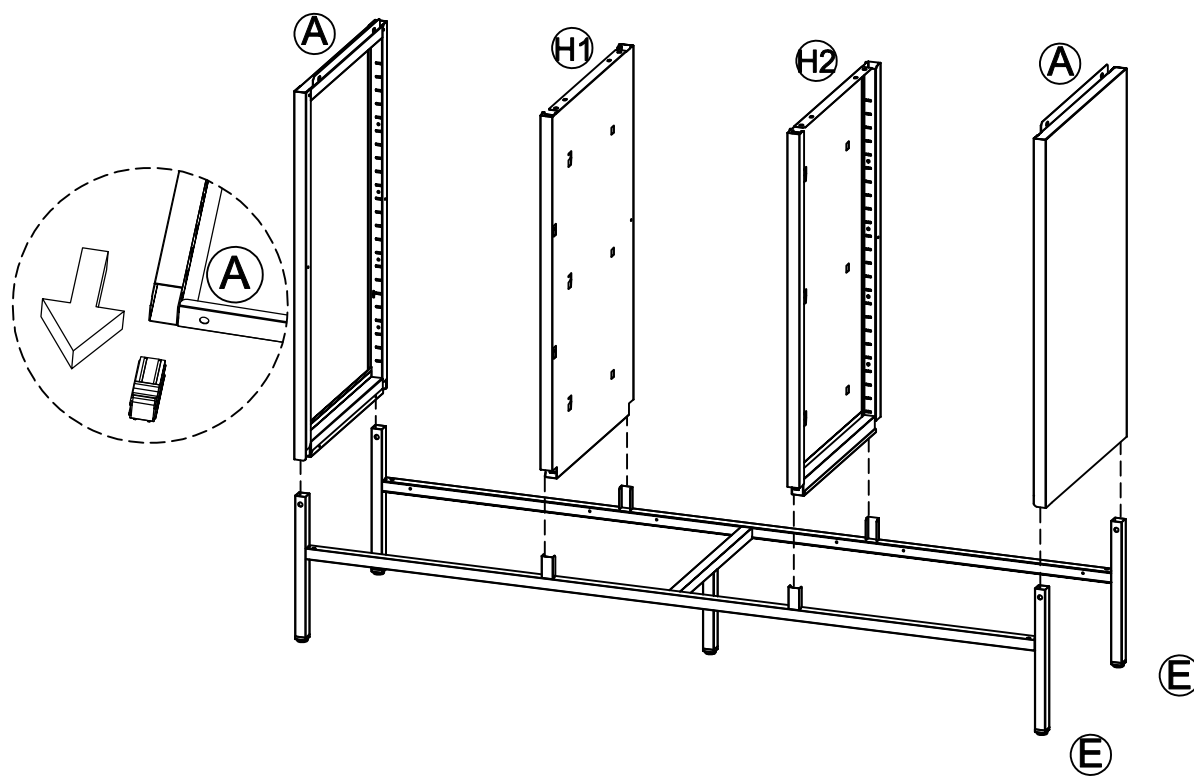
Hardware	Ctn No.	1
----------	---------	---



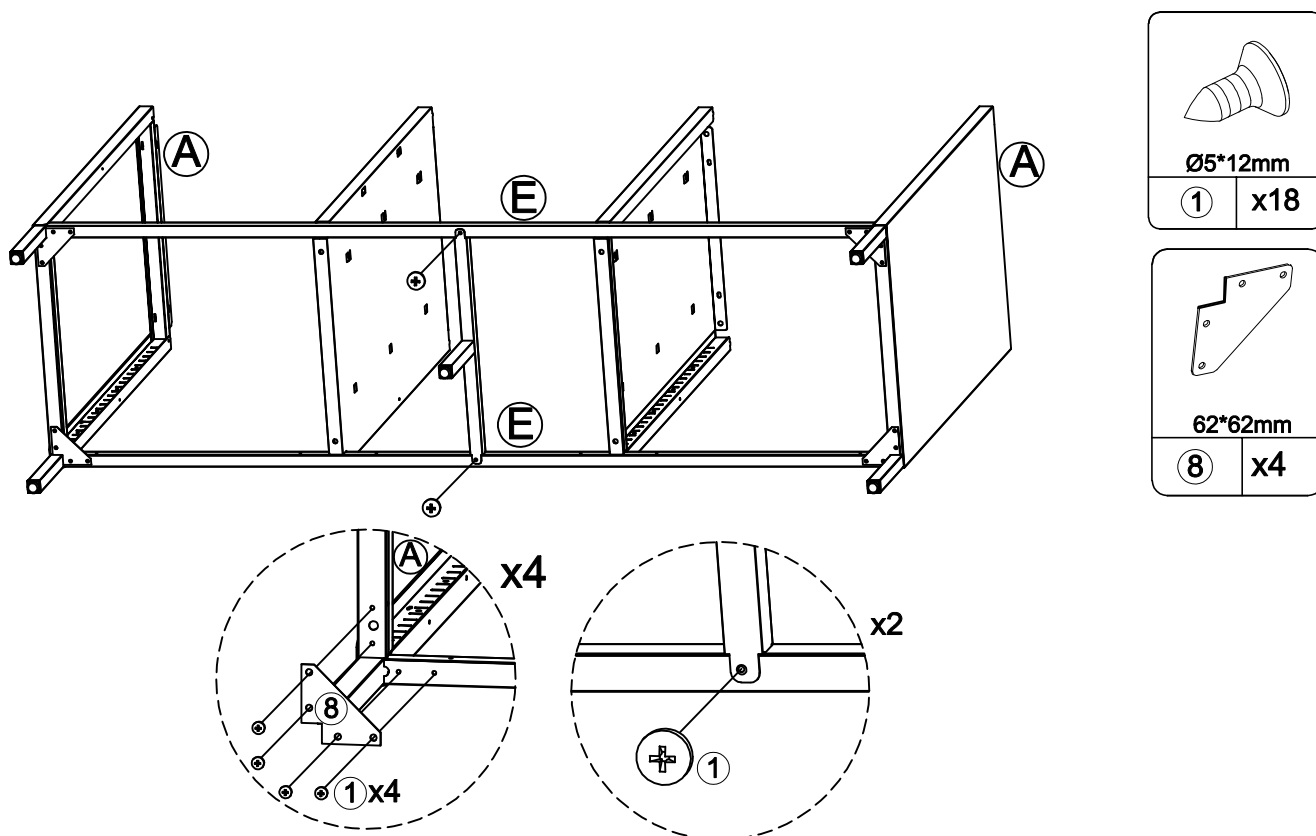
(1) - Attach (J) to (E) as below shown.



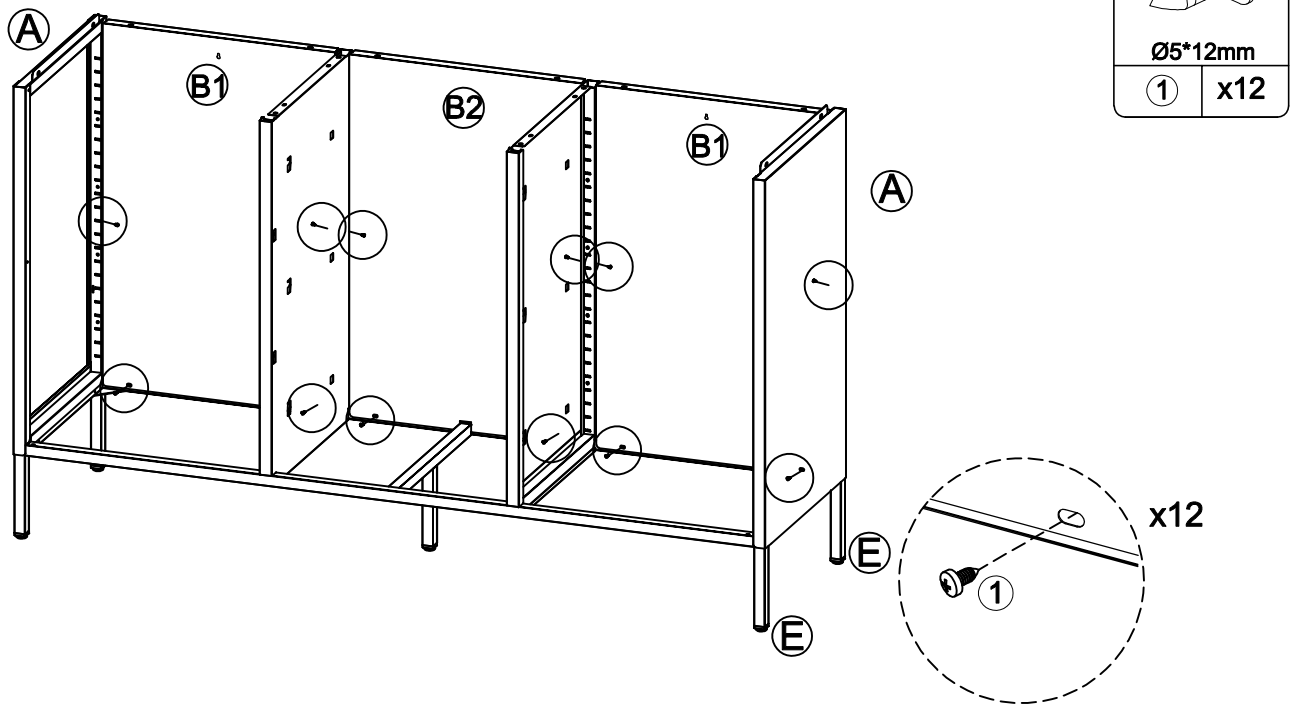
(2) - Attach (A) & (H1) & (H2) to (E) as below shown.



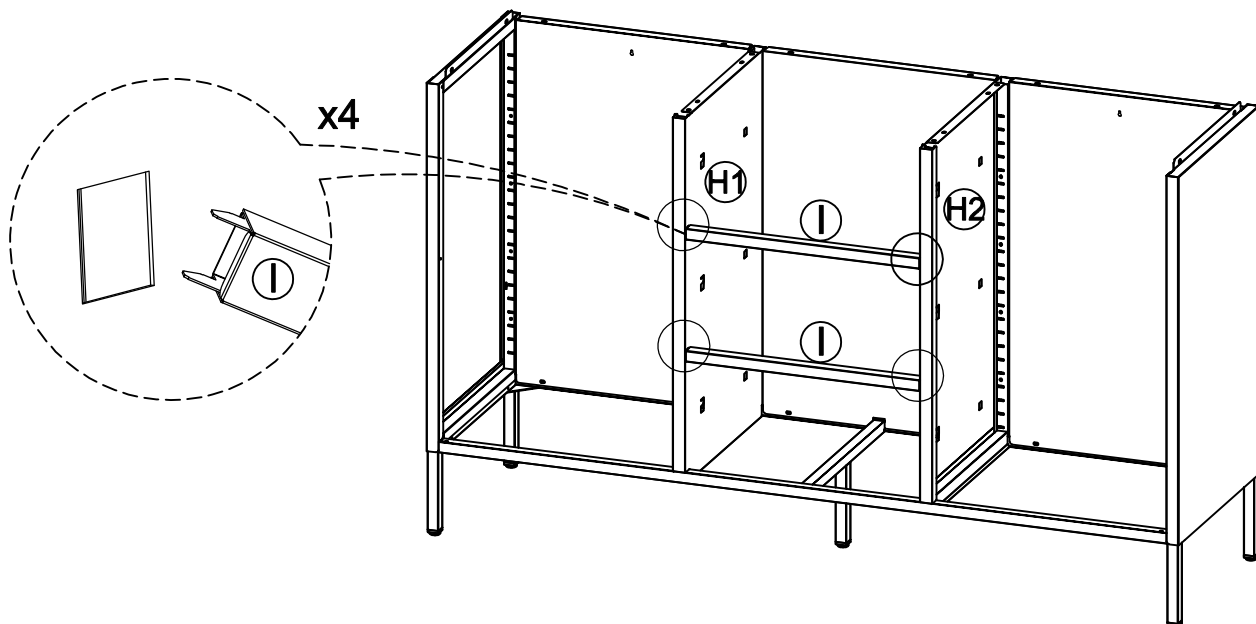
(3) - Attach (8) to (E) & (A) as below shown.



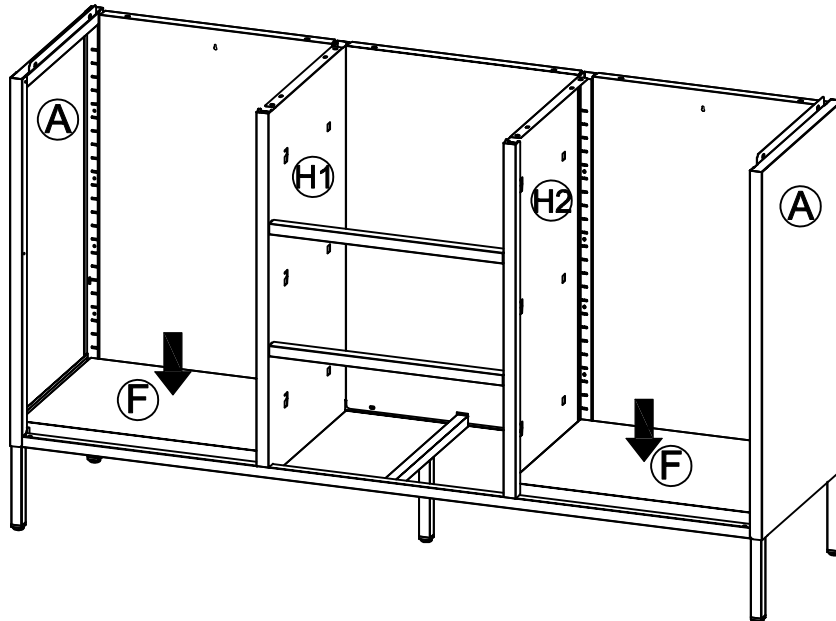
(4) - Attach (B1) & (B2) to (A) & (E) as below shown.



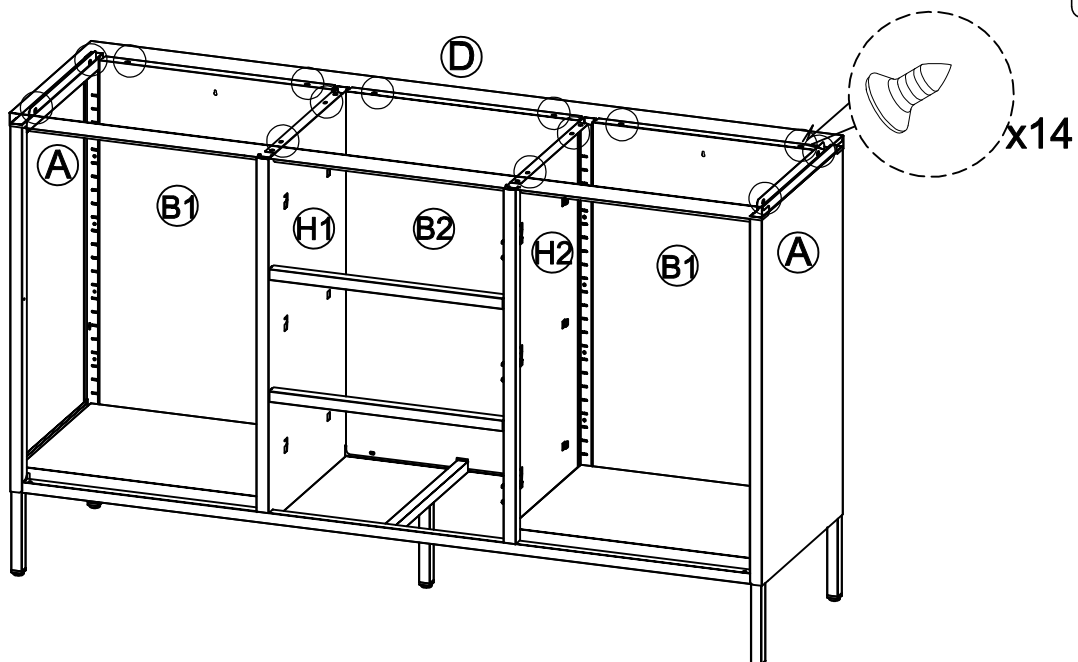
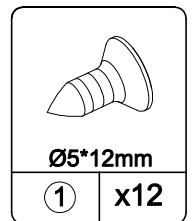
(5) - Attach (I) to (H1) & (H2) as below shown.



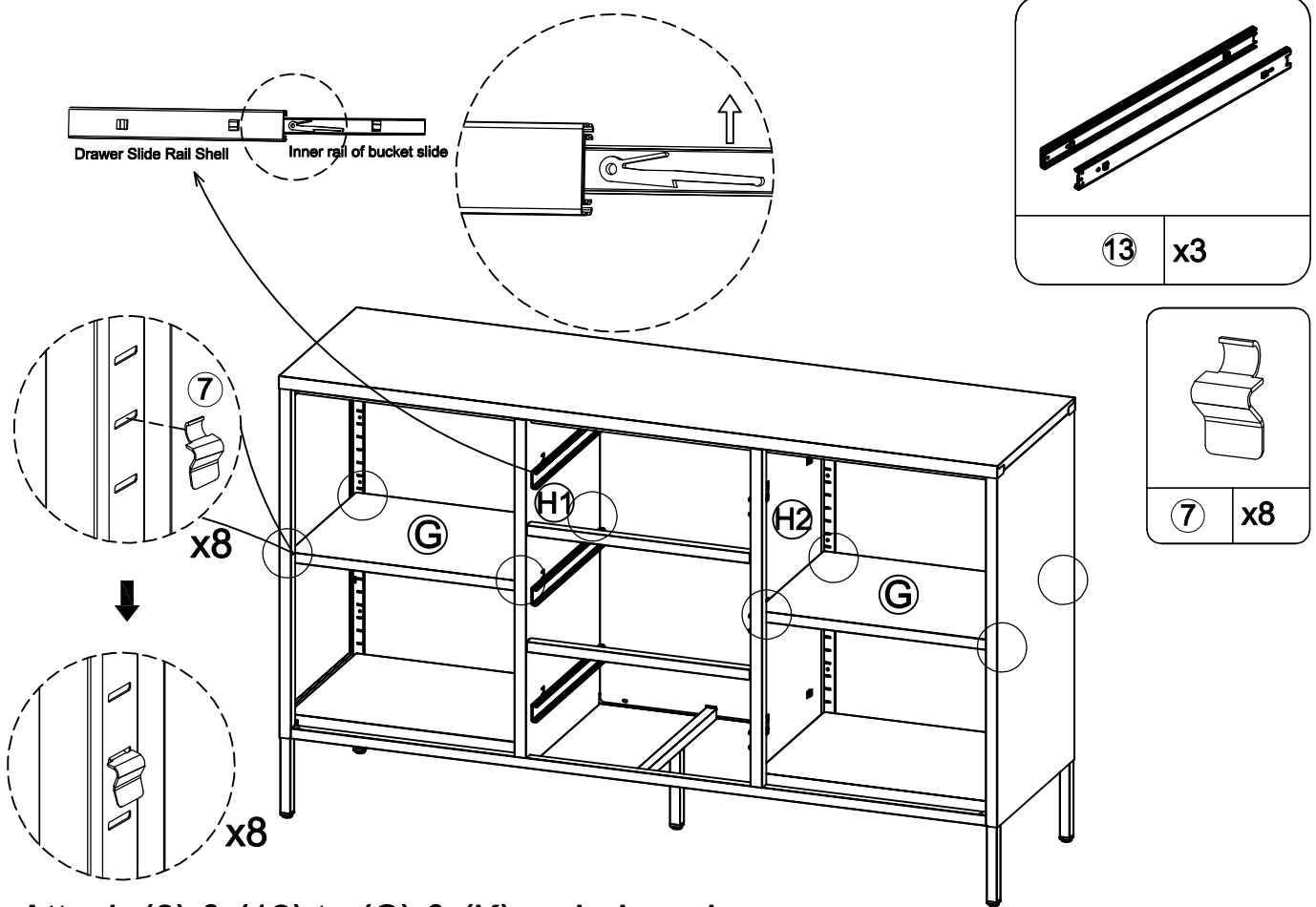
(6) - Attach (F) to (A) & (H1) & (H2) as below shown.



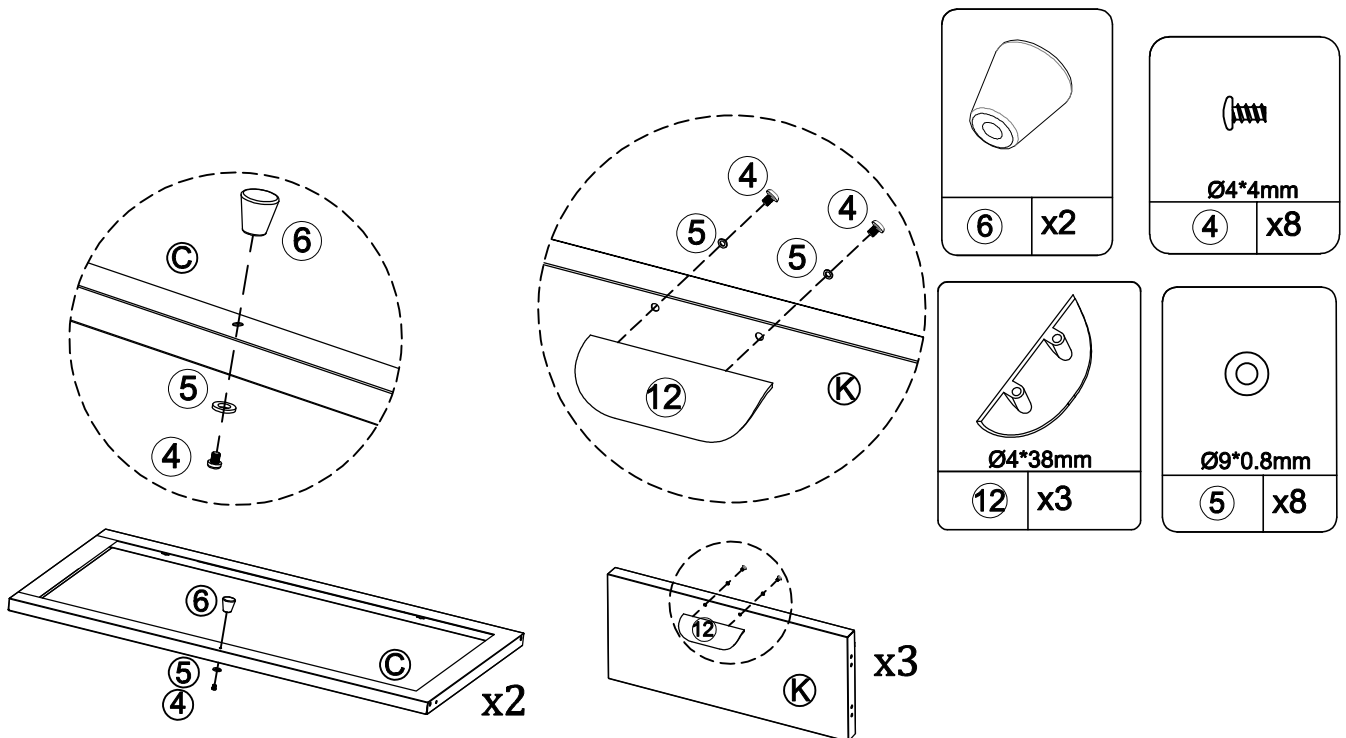
(7) - Attach (D) to (A) & (B1) & (B2) & (H1) & (H2) as below shown.



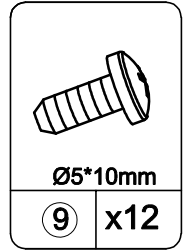
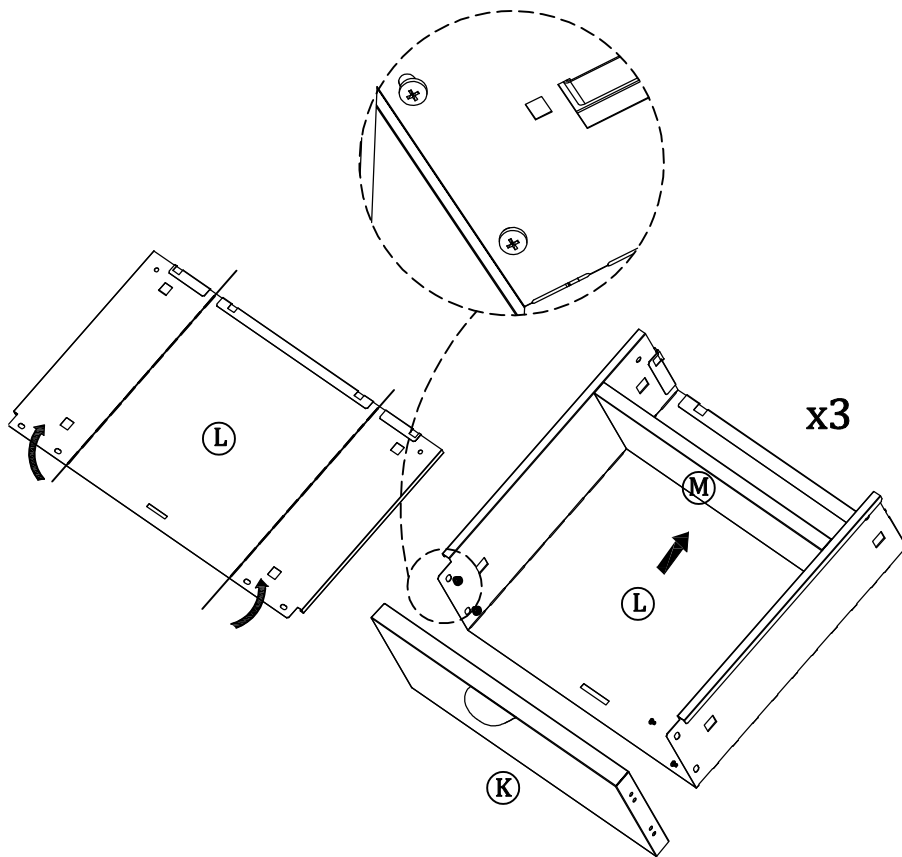
- (8) - Attach (G) to pre-assembled unit as below shown.
 - Attach (13) to (H1)& (H2) as below shown.



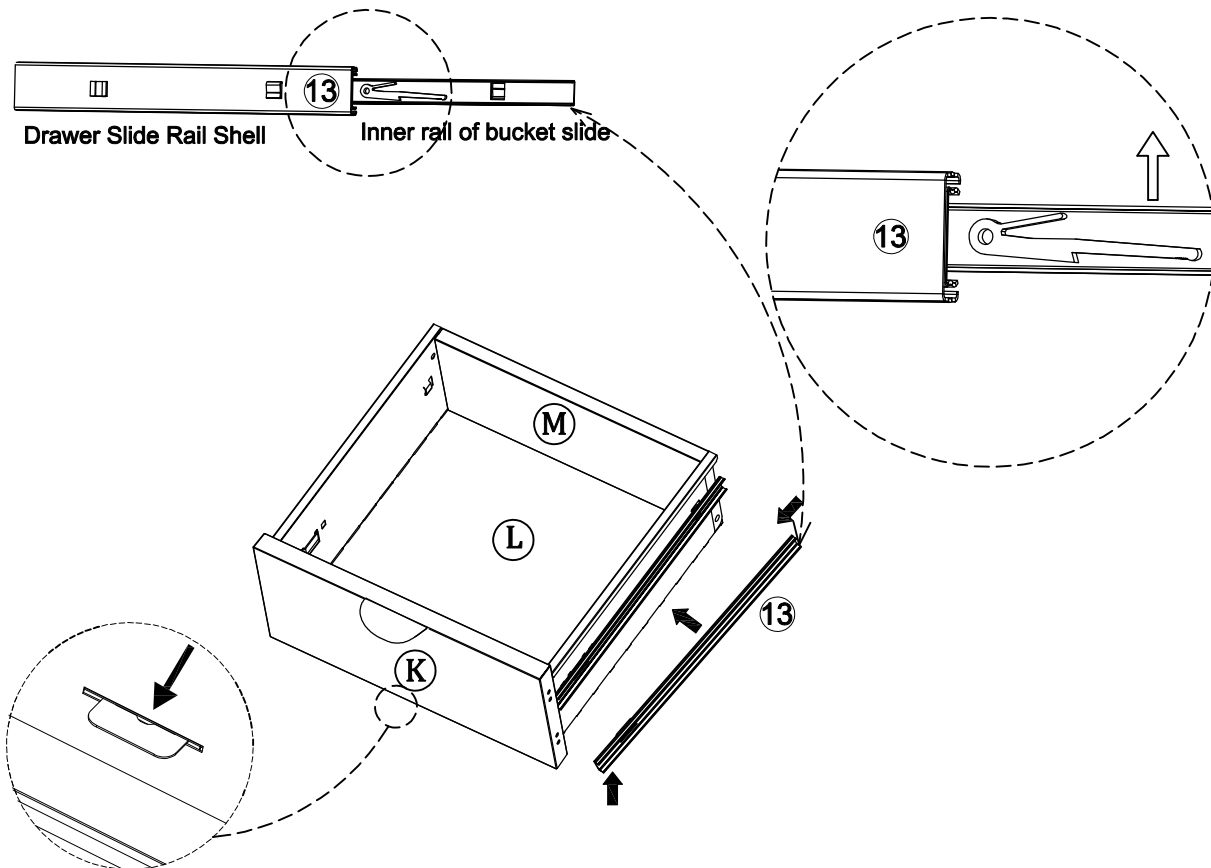
- (9) - Attach (6) & (12) to (C) & (K) as below shown.



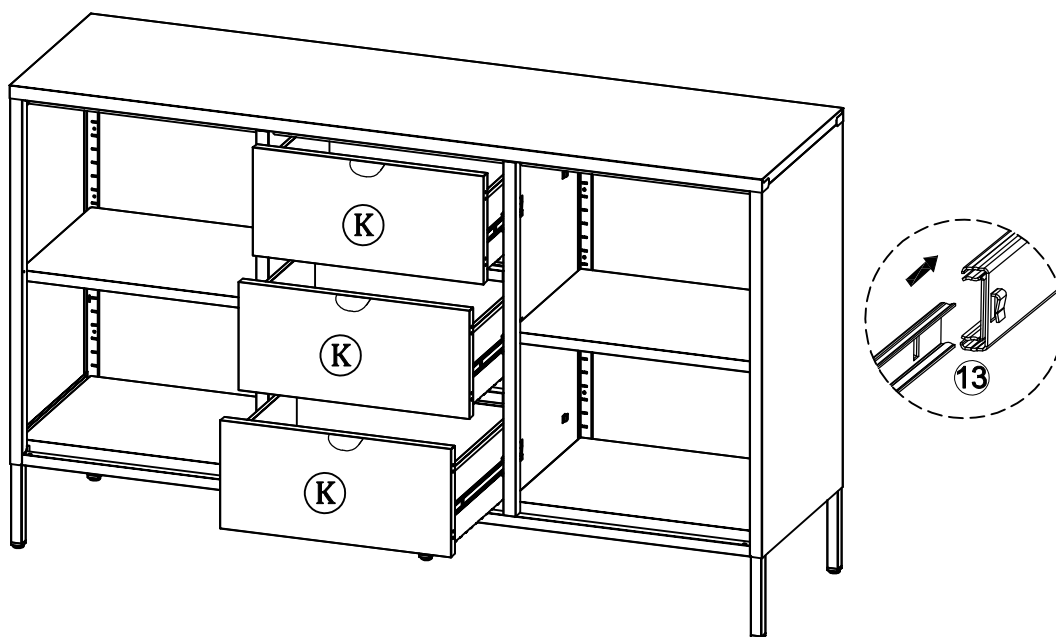
(10) -Attach (L) & (M) to (K) as below shown.



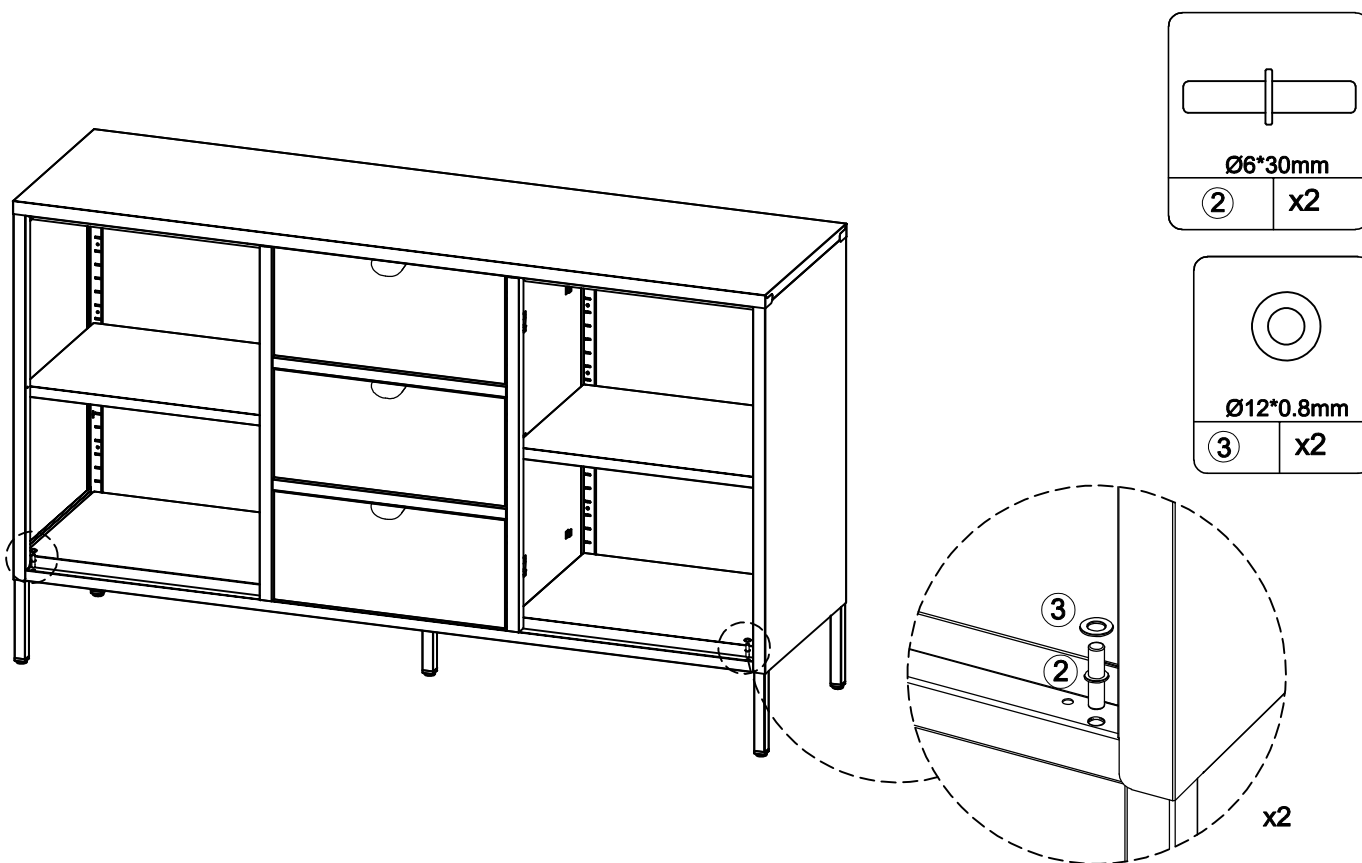
(11) -Attach Inner rail of Drawer Slide to Drawer as below shown.



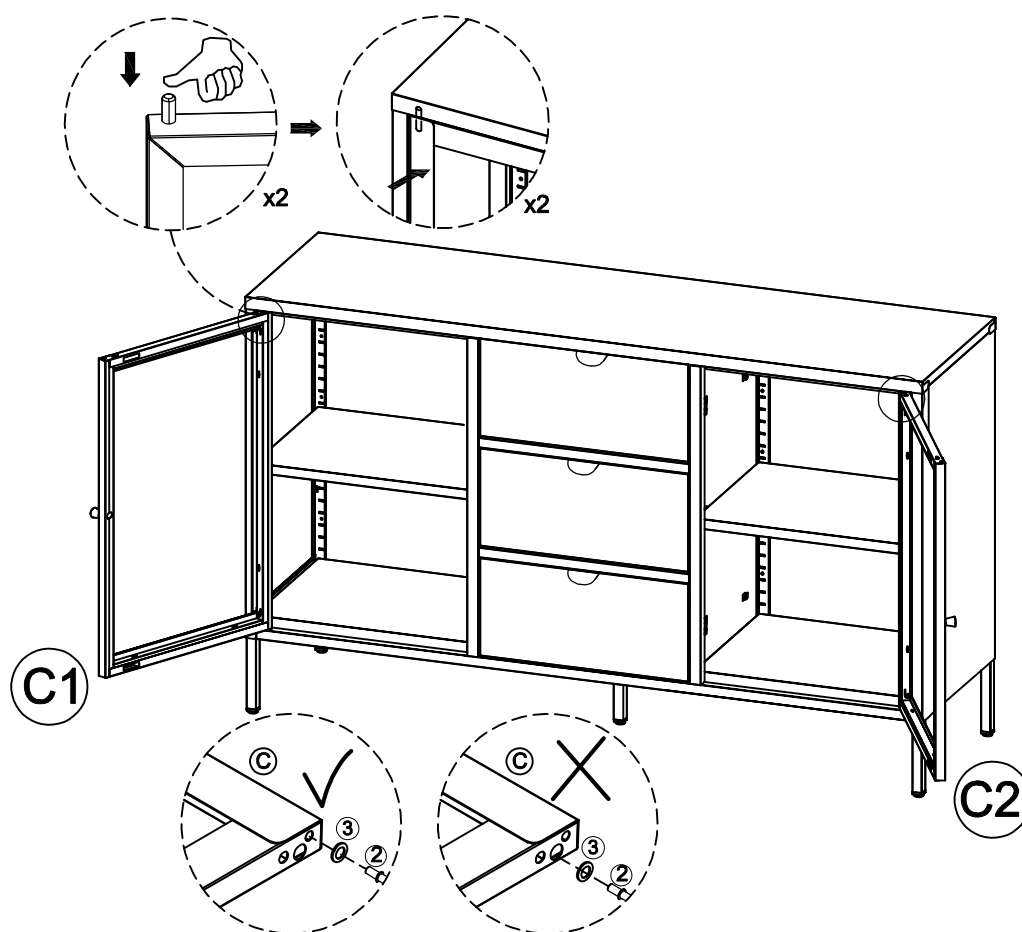
(12) -Attach Drawer to pre-assembled unit as below shown.



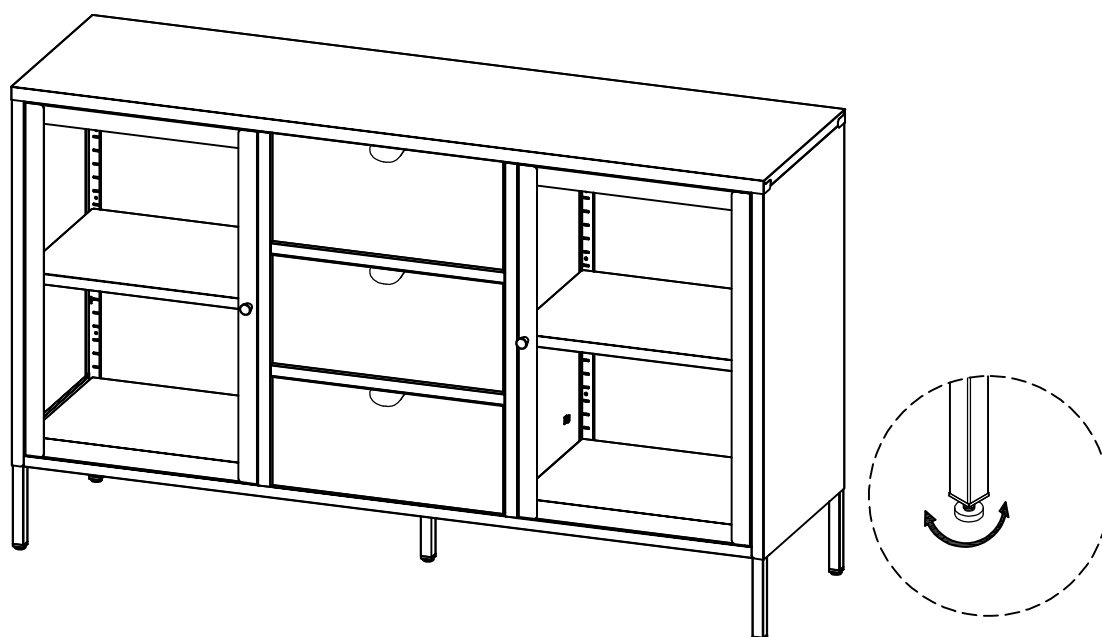
(13) -Attach (2) & (3) to pre-assembled unit as below shown.



(14) - Attach (C1) & (C2) to pre-assembled unit as below shown.



(15)



Gaps may appear between the top of the doors and the frame if the item is not on level ground; use the plastic foot cover to level.

(16)

