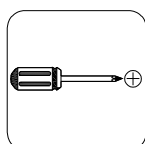
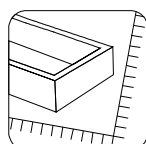
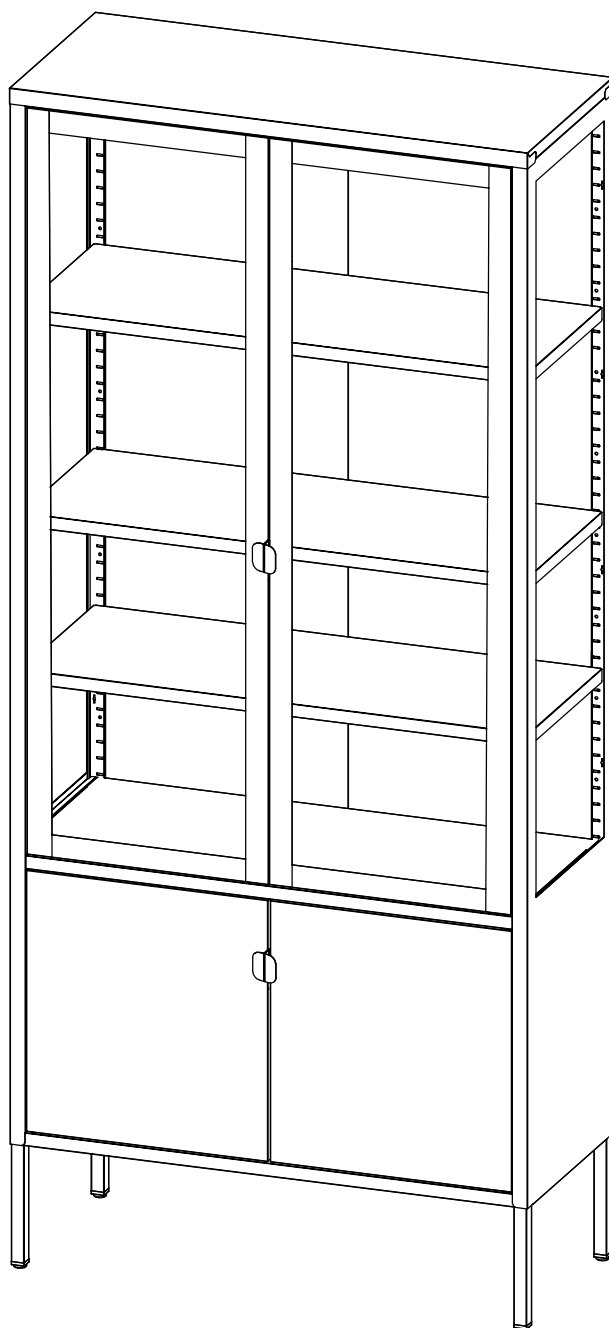
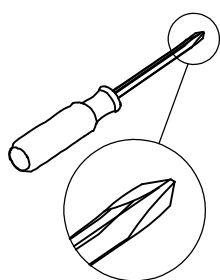
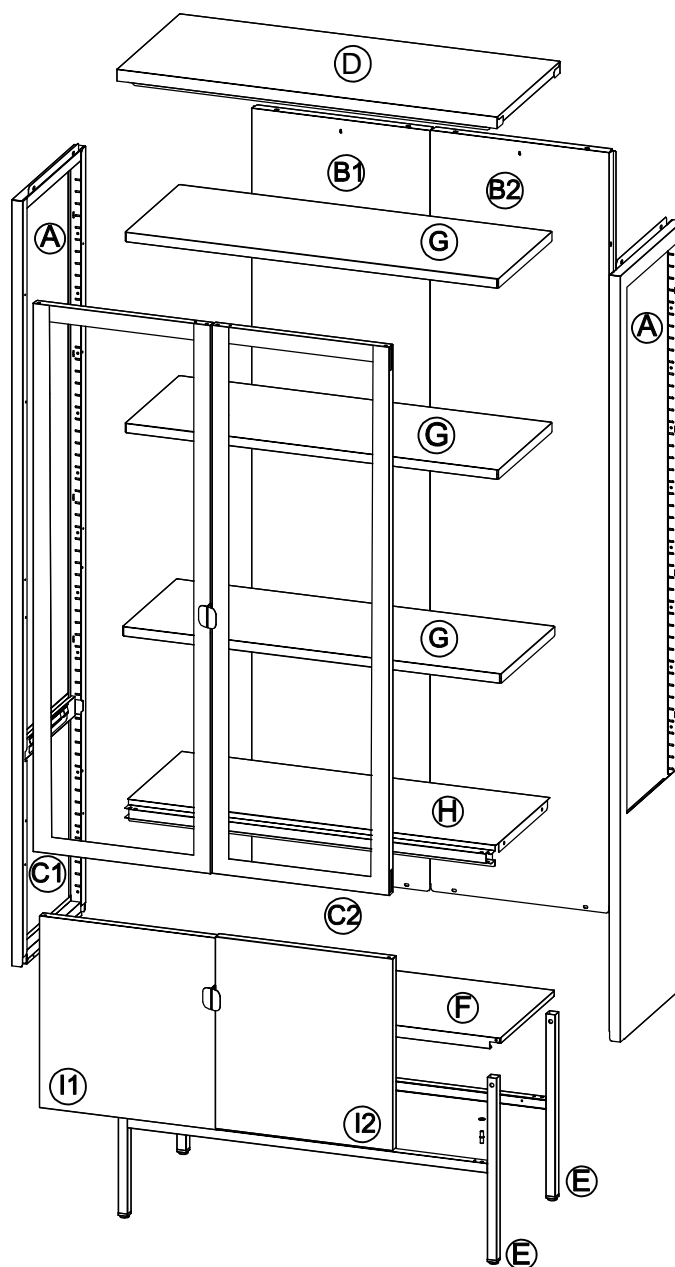


3001057

**HOUSE
NORDIC**

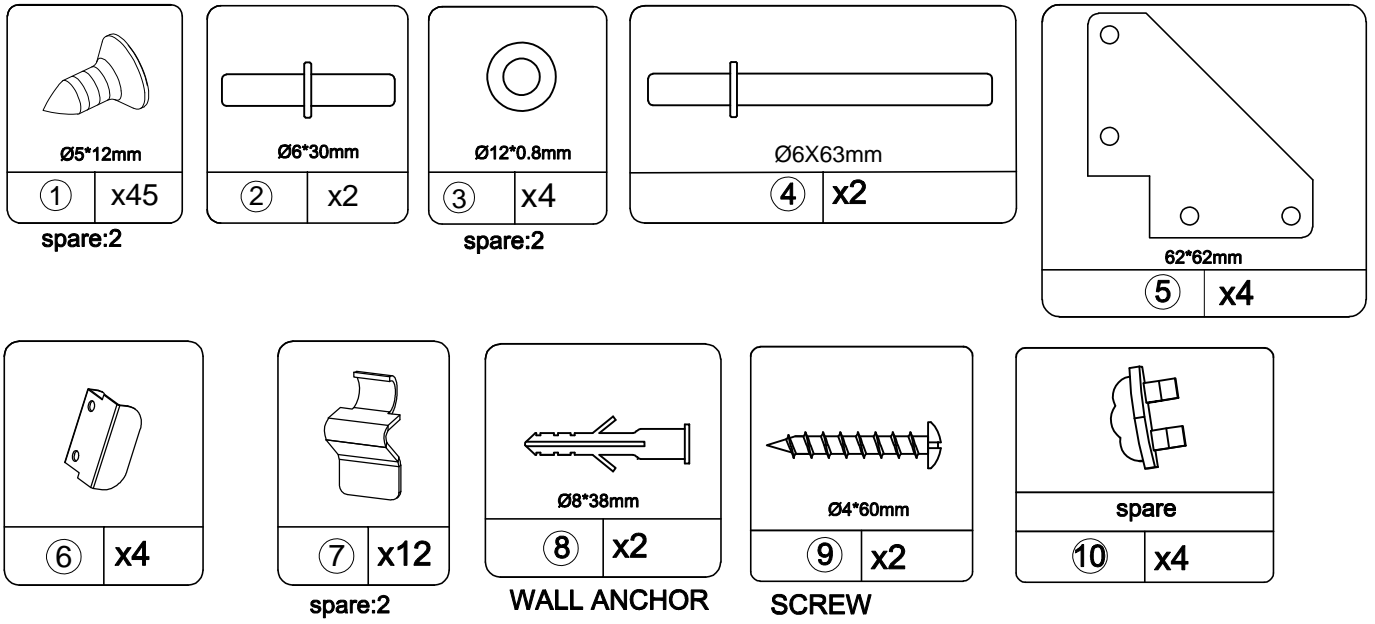
Display cabinet, 4 doors, steel, black, 80x35x180 cm



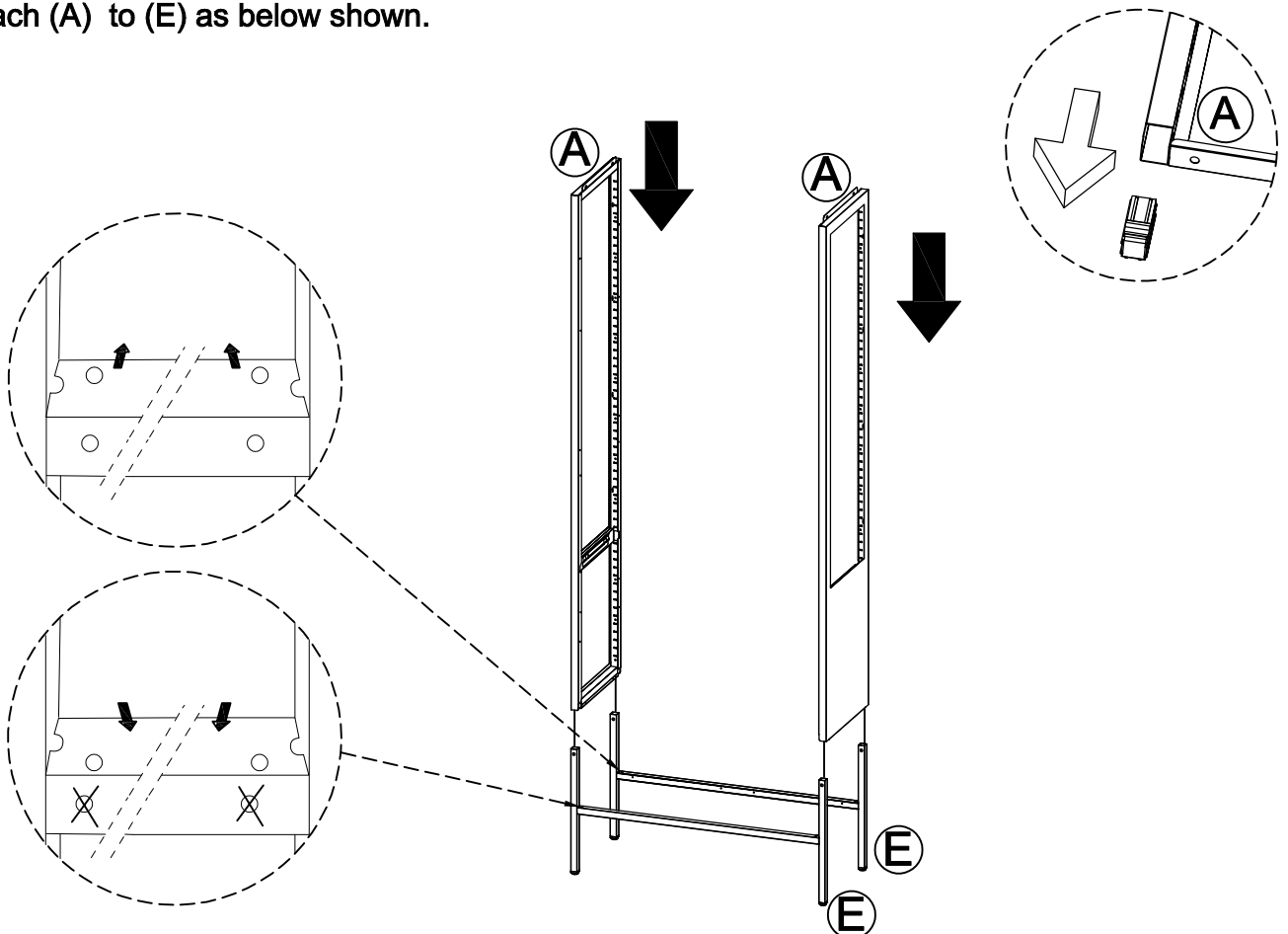


Hardware	Ctn No.	1
----------	---------	---

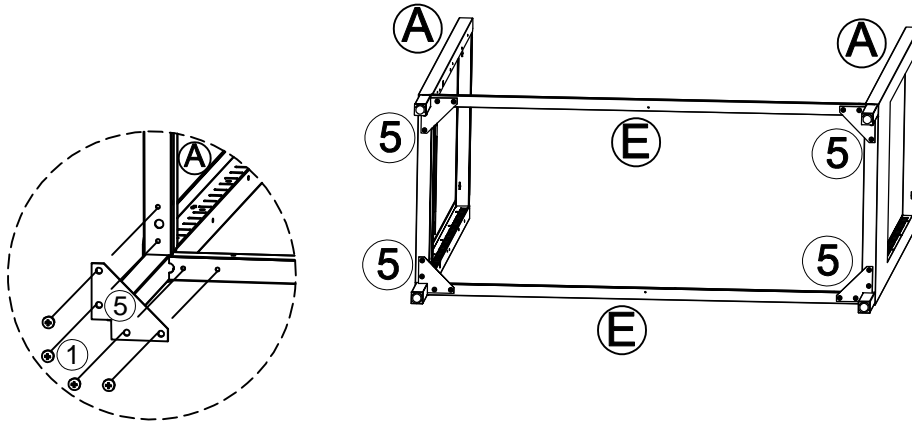
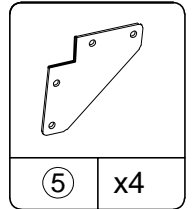
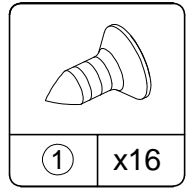
No.	Size	Qty
A	1618x350x24mm	2
B1	1590x380x23mm	1
B2	1590x392x23mm	1
C1	1151x373.5x20mm	1
C2	1151x373.5x20mm	1
D	801x351.5x38mm	1
E	370x797x20mm	2
F	796x301x25mm	1
G	796x300x20mm	3
H	776x302.5x45mm	1
I1	396x373.5x20mm	1
I2	396x373.5x20mm	1



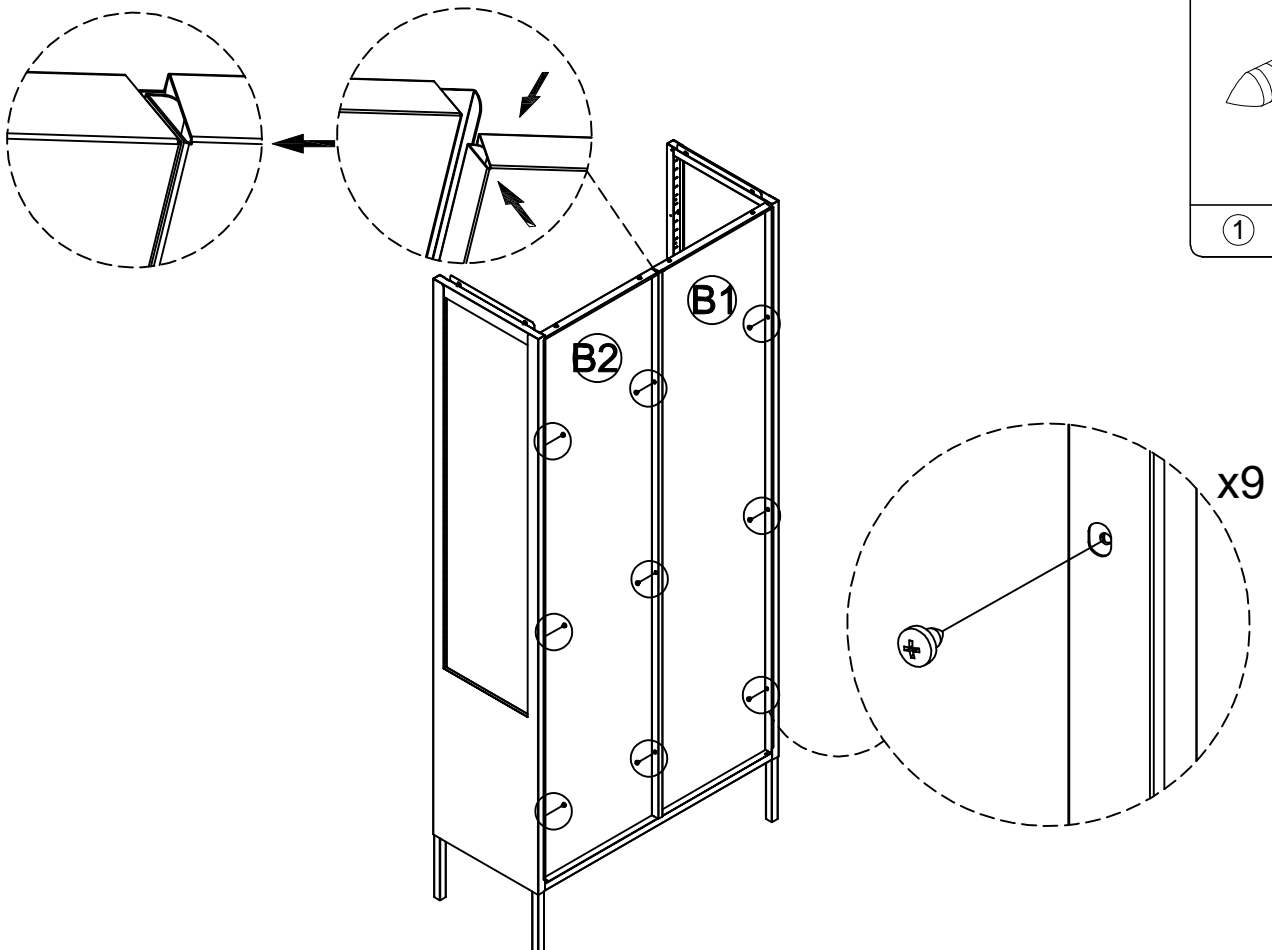
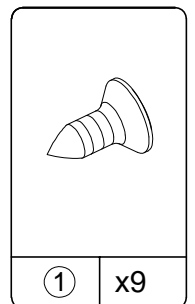
(1) - Attach (A) to (E) as below shown.



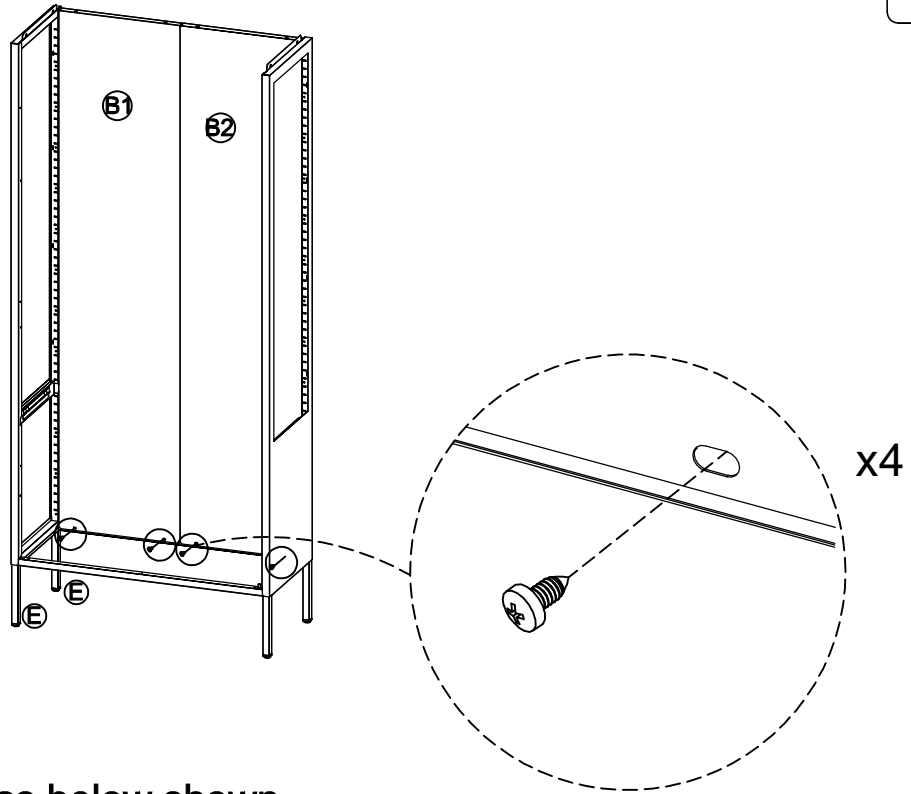
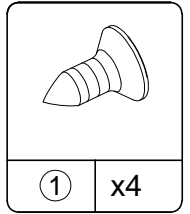
(2) - Attach ⑤ to (A)&(E) as below shown.



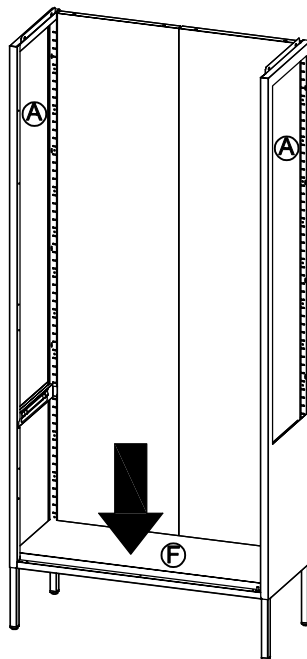
(3) - Attach (B1) & (B2) to (A) as below shown.



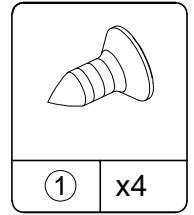
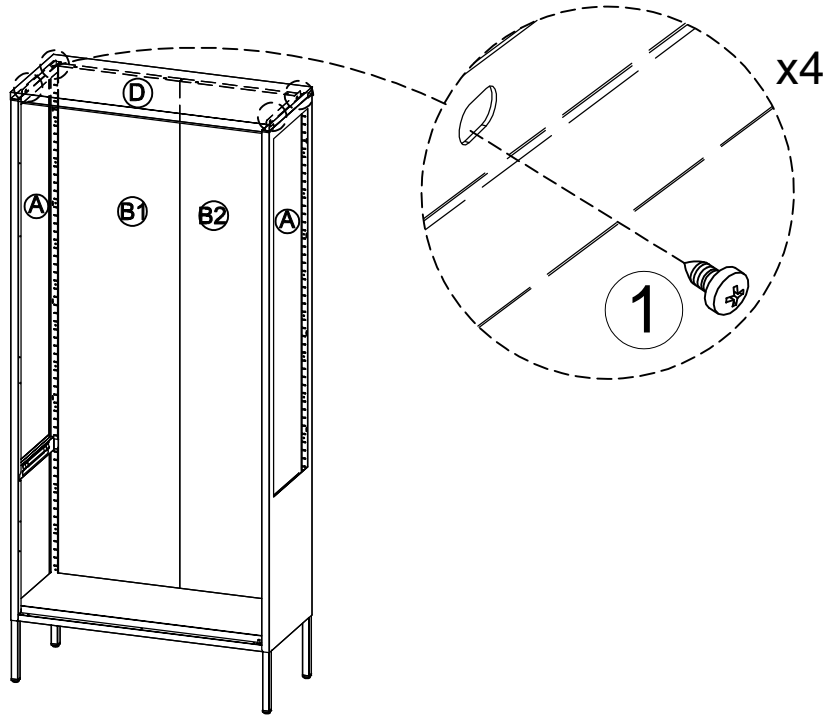
(4) - Attach (B1) & (B2) & (E) as below shown.



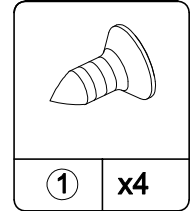
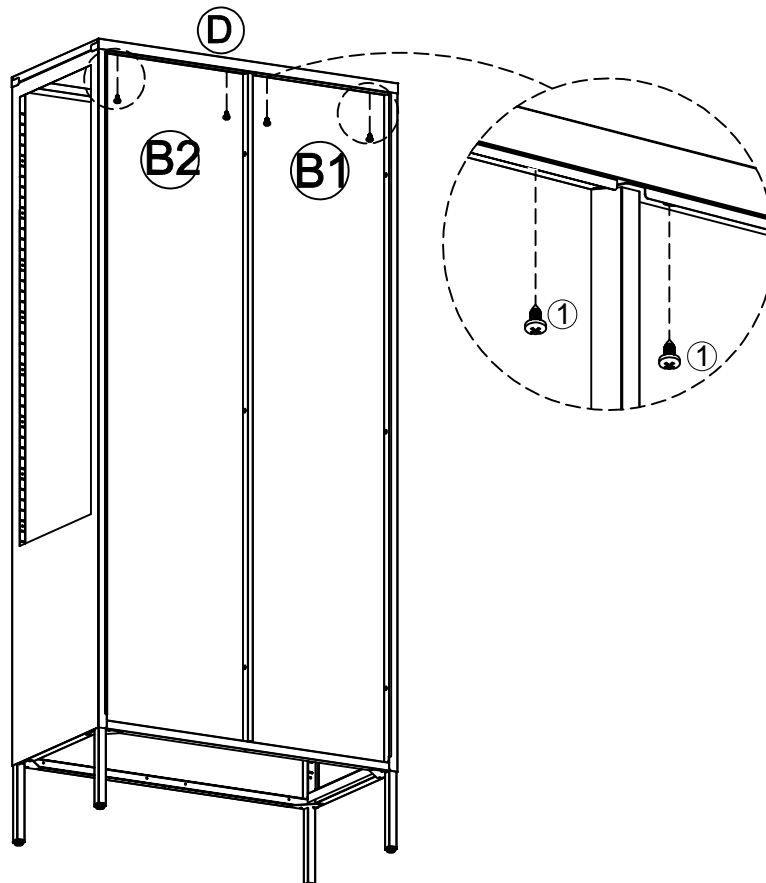
(5) - Attach (F) to (A) as below shown.



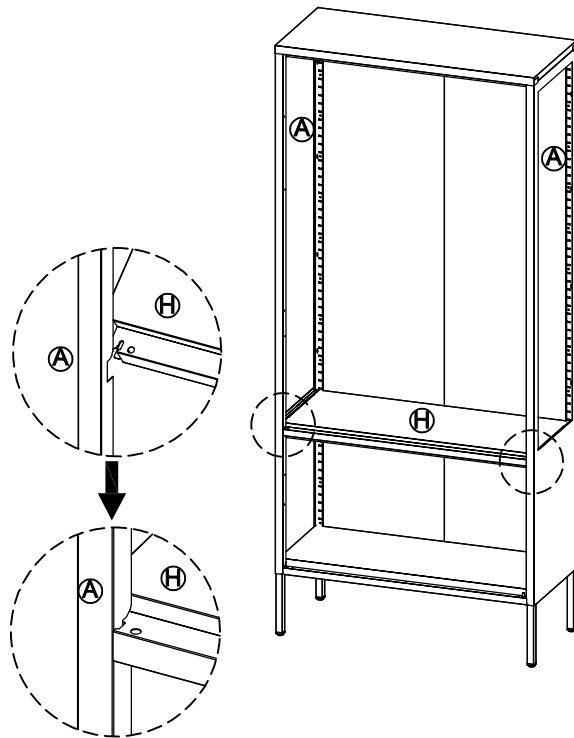
(6) - Attach (D) to (A) & (B1) & (B2) as below shown.



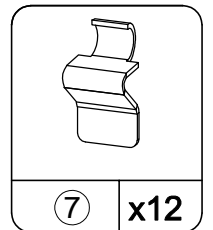
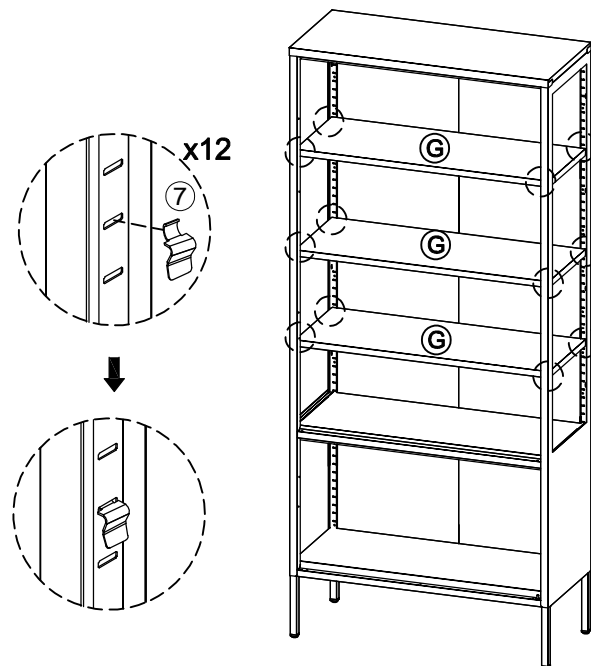
(7) - Attach (B1) & (B2) to (D) as below shown.



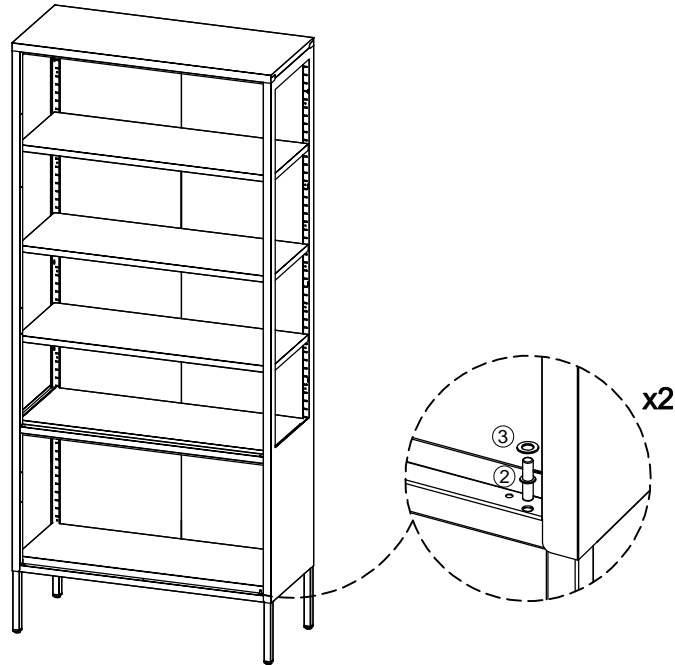
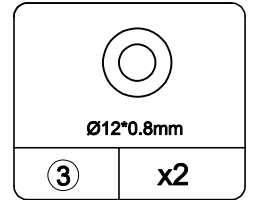
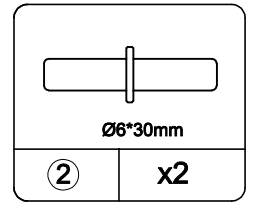
(8) - Attach (H) to (A) as below shown.



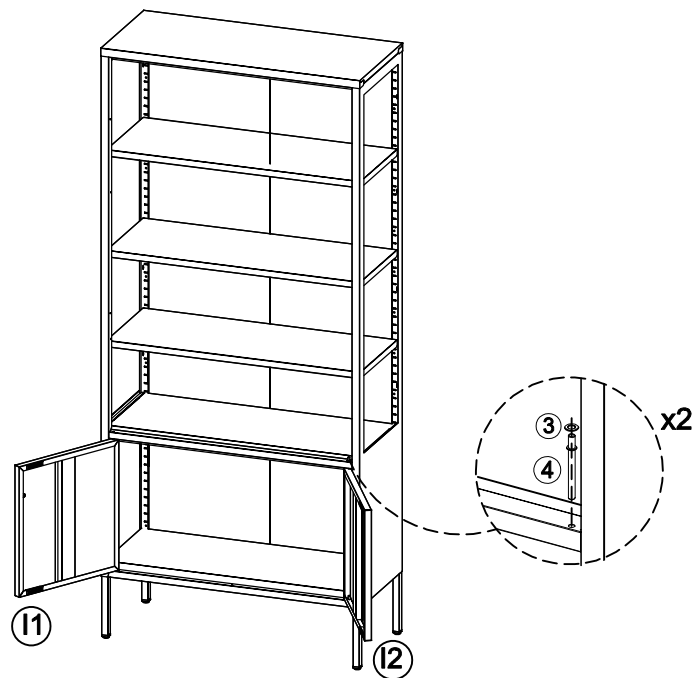
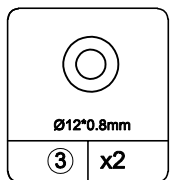
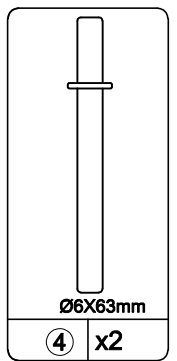
(9) - Attach (G) to pre-assembled unit as below shown.



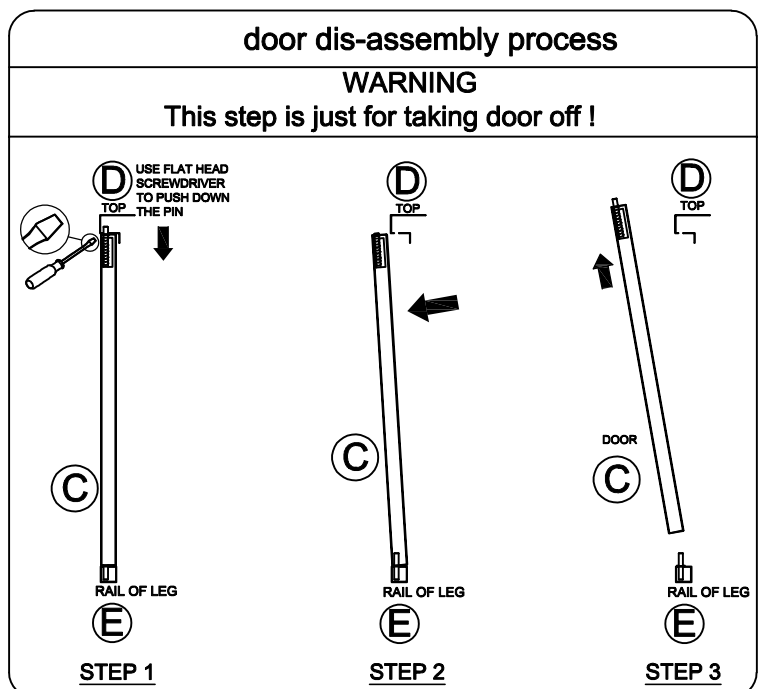
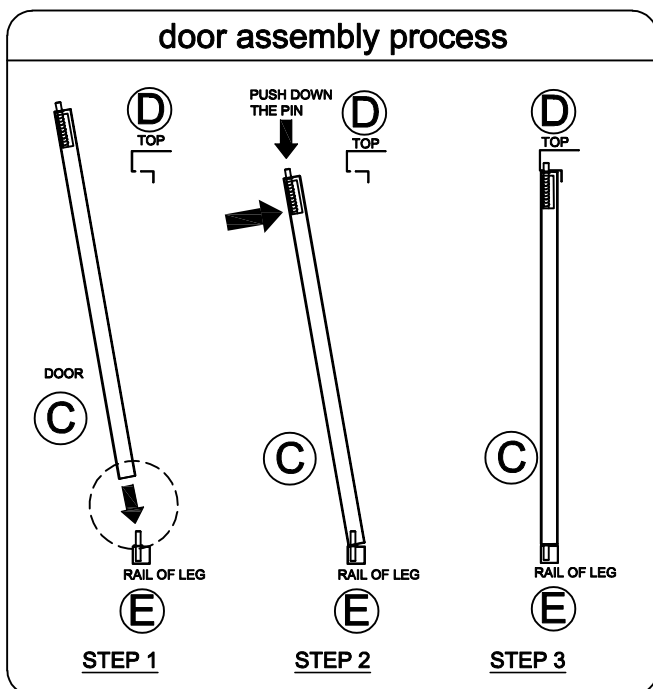
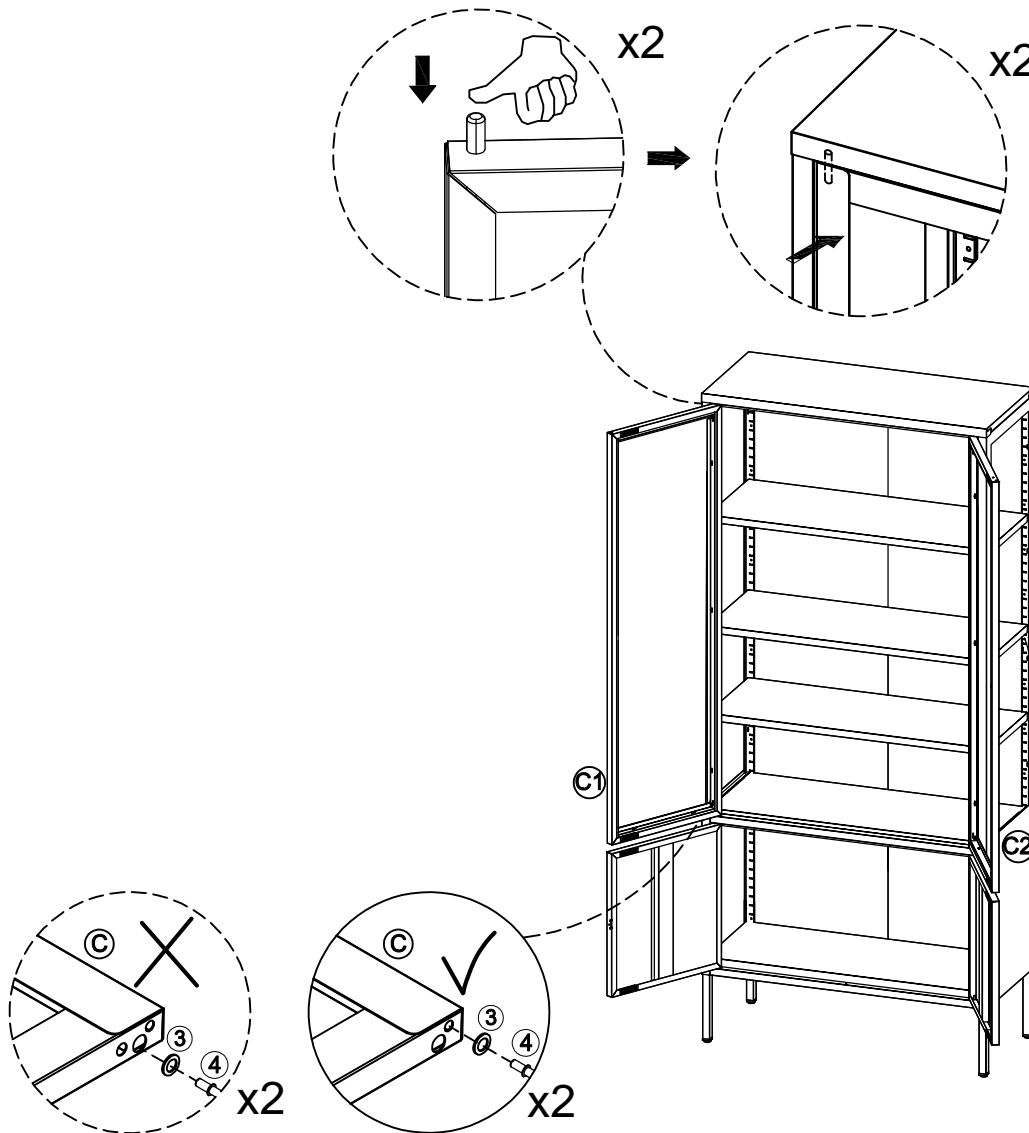
(10) -Attach (2) & (3) to pre-assembled unit as below shown.



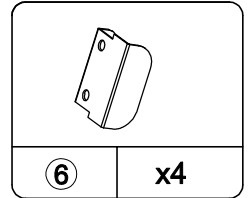
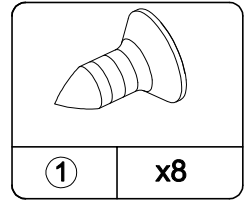
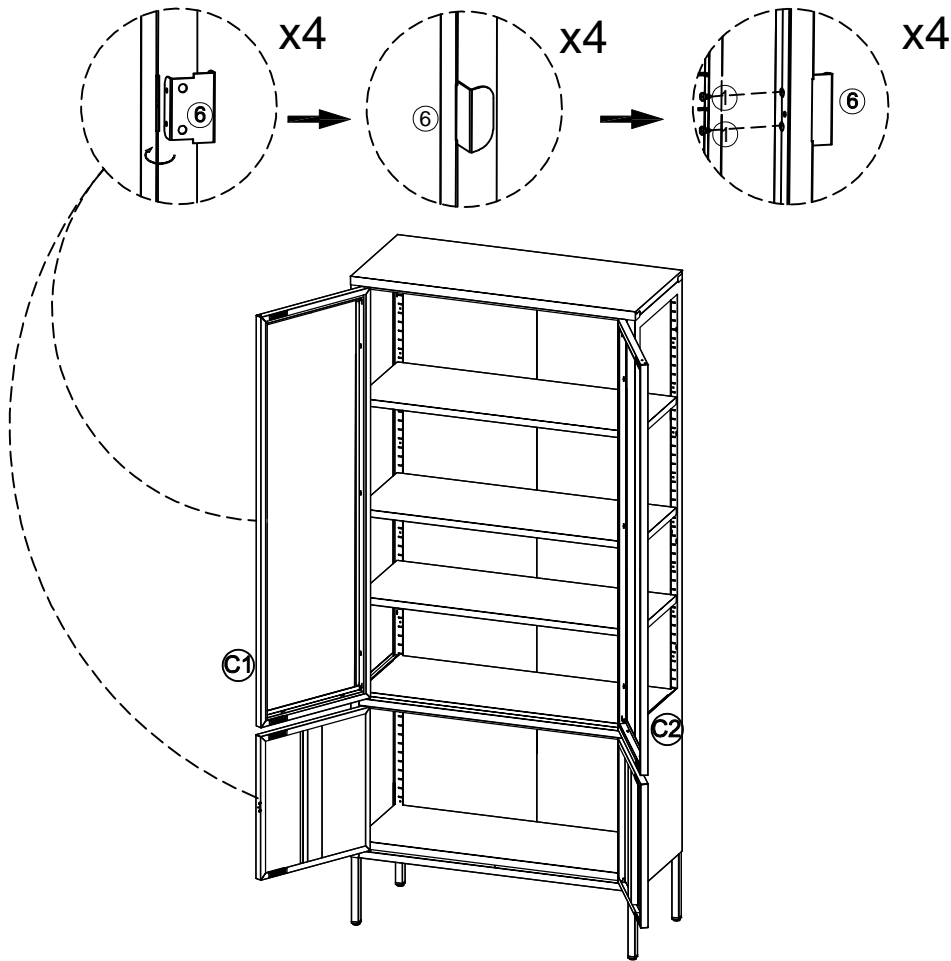
(11) -Attach (I1) & (I2) to pre-assembled unit as below shown.



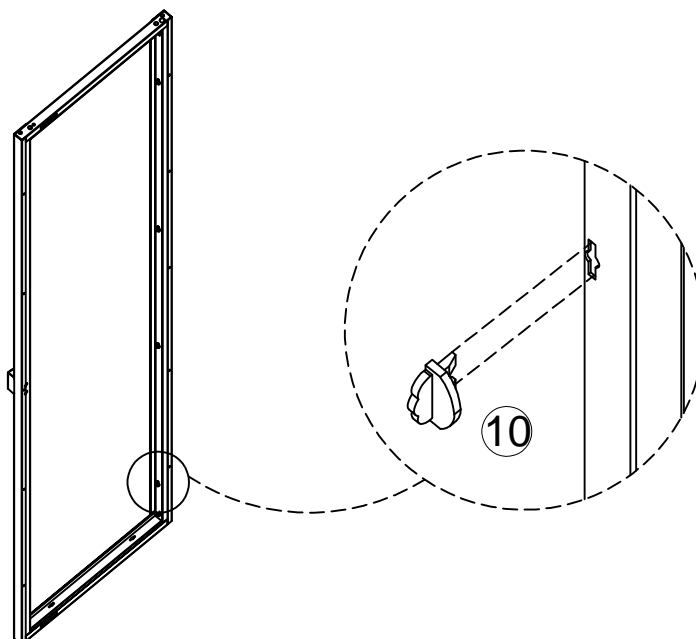
(13) - Attach (C1) & (C2) to pre-assembled unit as below shown.



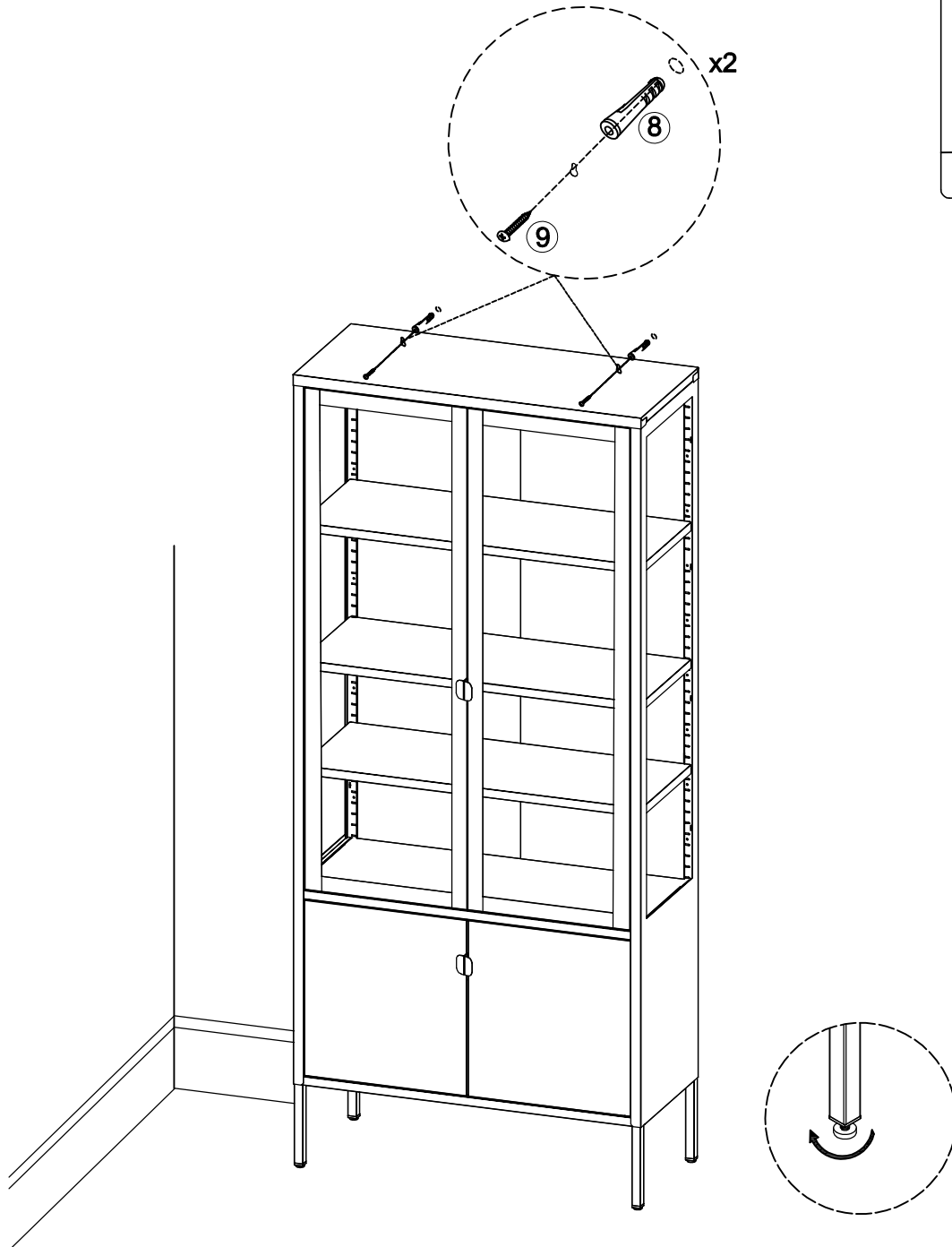
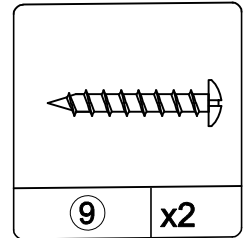
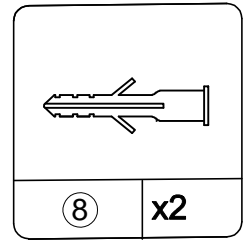
- (14)- Attach (6) to (C1) & (C2) as below shown.
 - Attach (6) to (I1) & (I2) as below shown.



spare parts of glass buckle



(15)



Gaps may appear between the top of the doors and the frame if the item is not on level ground; use the plastic foot cover to level.