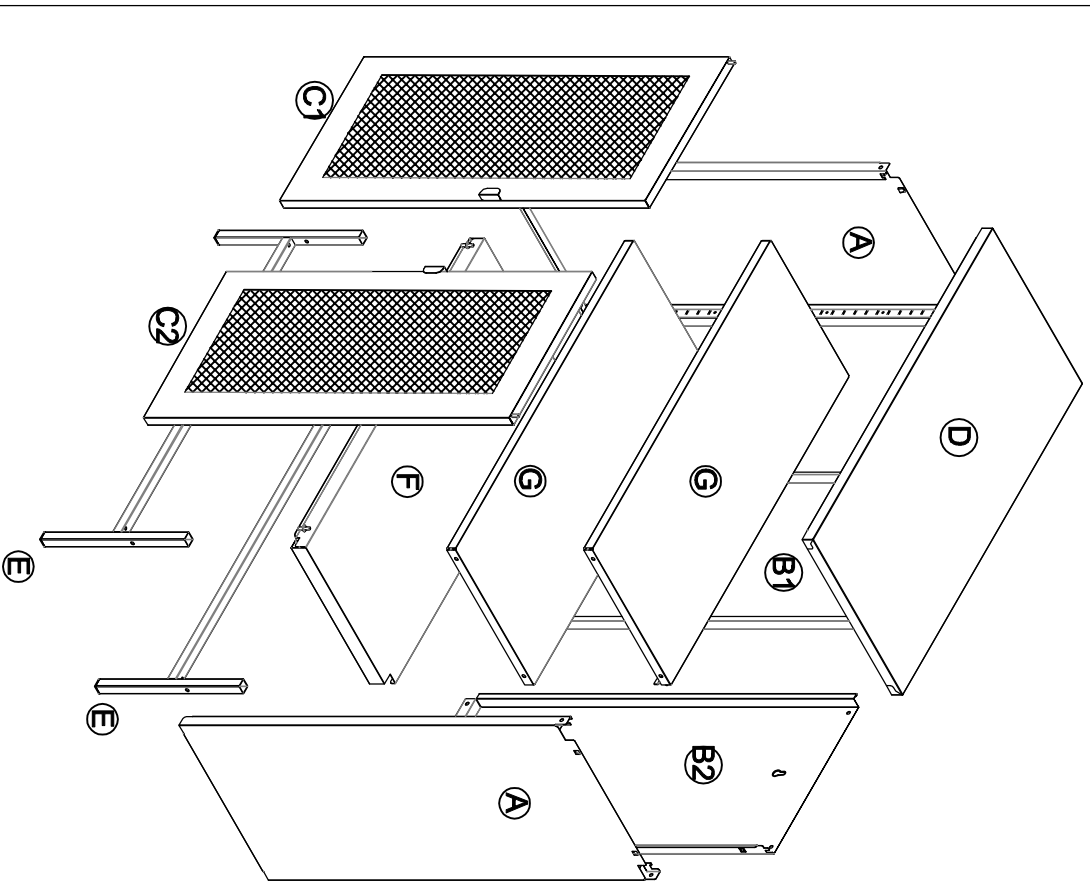
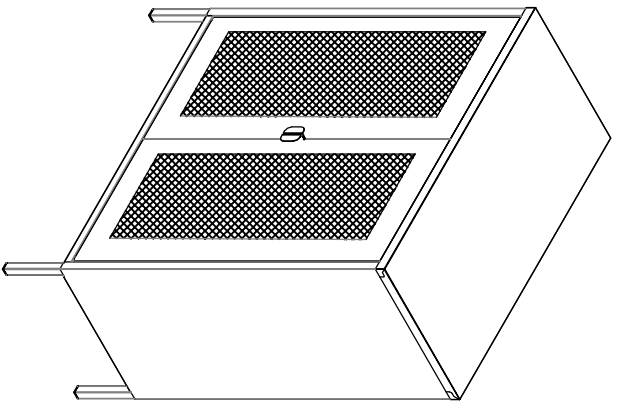


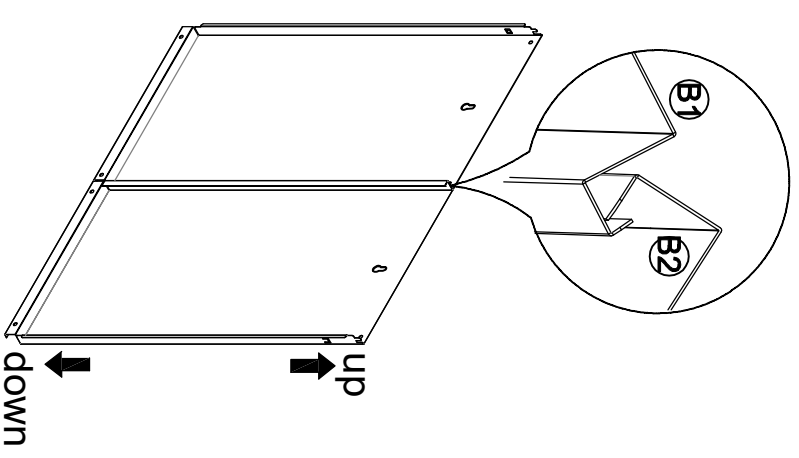
3001080
Melbourne Steel Cabinet
w. Mesh Door Black

HOUSE
NORDIC



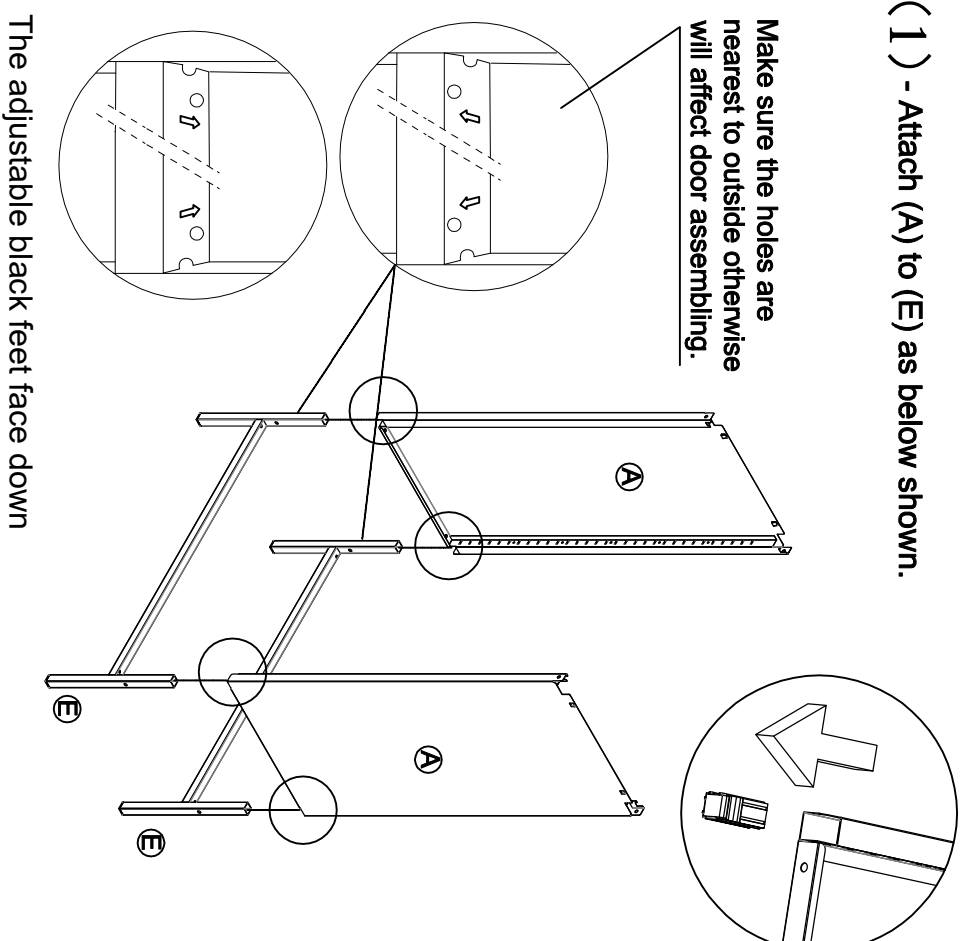
1	X4	
2	X2	Ø6-30mm
3	X2	Ø12-0.8mm spare:2
4	X8	Ø4x4mm
5	X2	
6	X2	
7	X2	

(2) - Attach (B1) to (B2) as below shown.



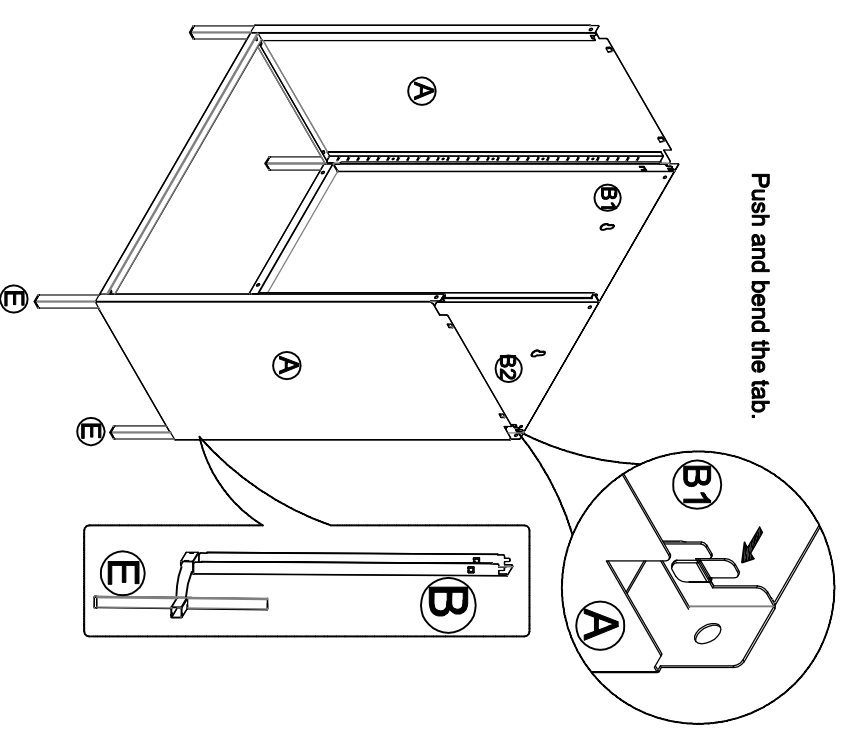
(1) - Attach (A) to (E) as below shown.

Make sure the holes are nearest to outside otherwise will affect door assembling.

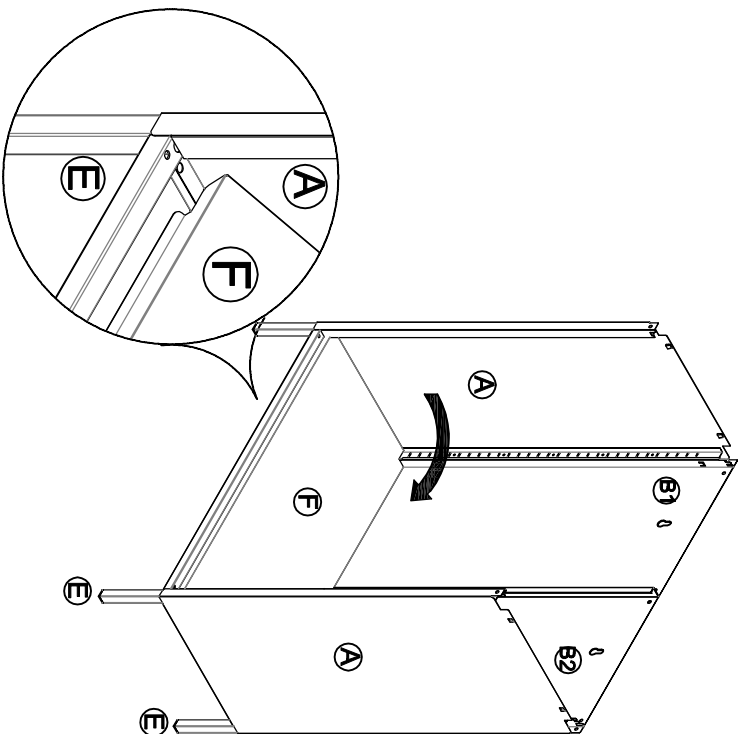


(3) - Attach (B1) & (B2) to (A) & (E) as below shown.

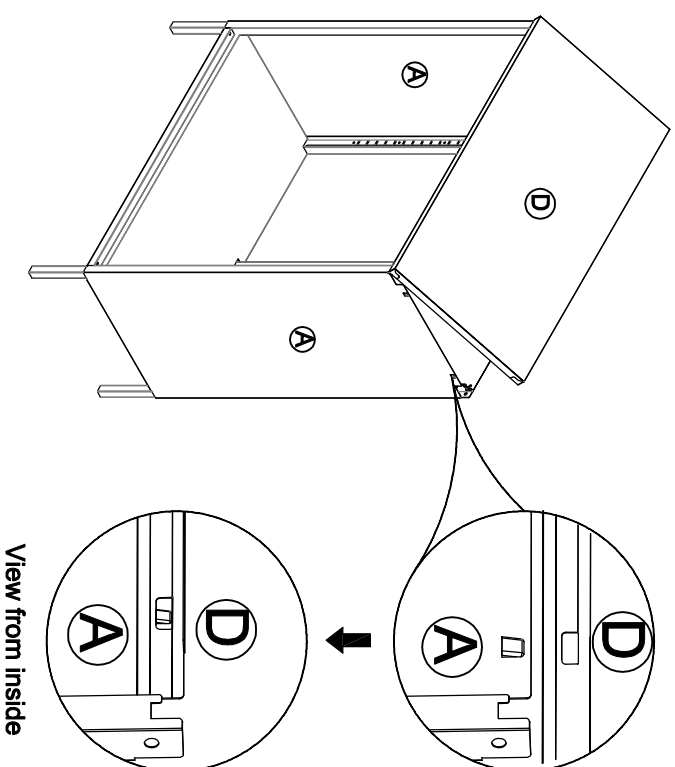
Push and bend the tab.



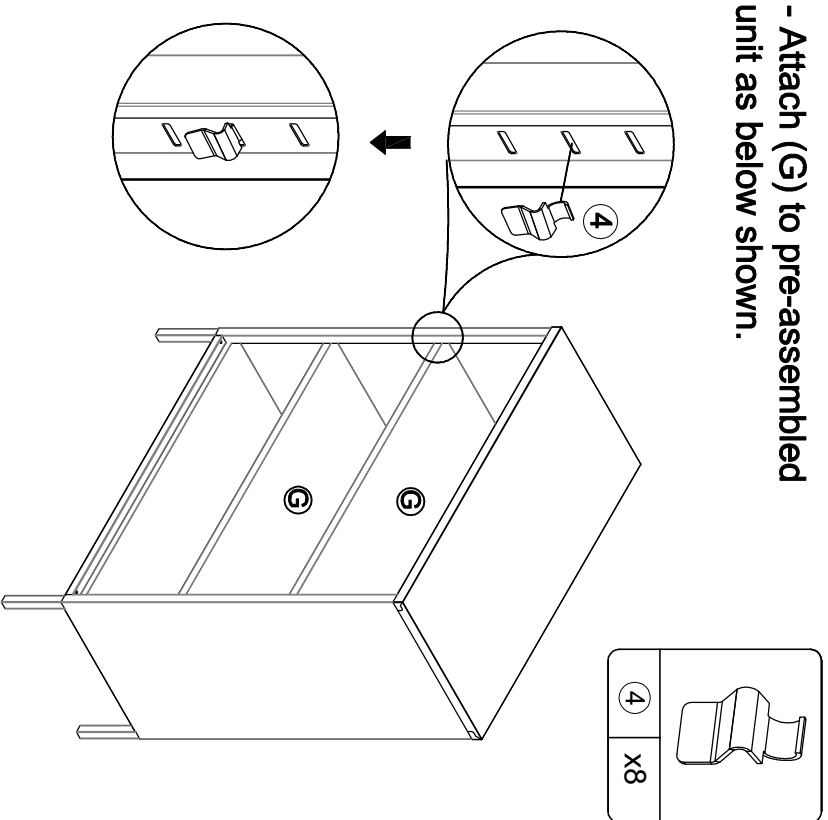
(4) - Attach (F) to (A) & (B) & (E) as below shown.



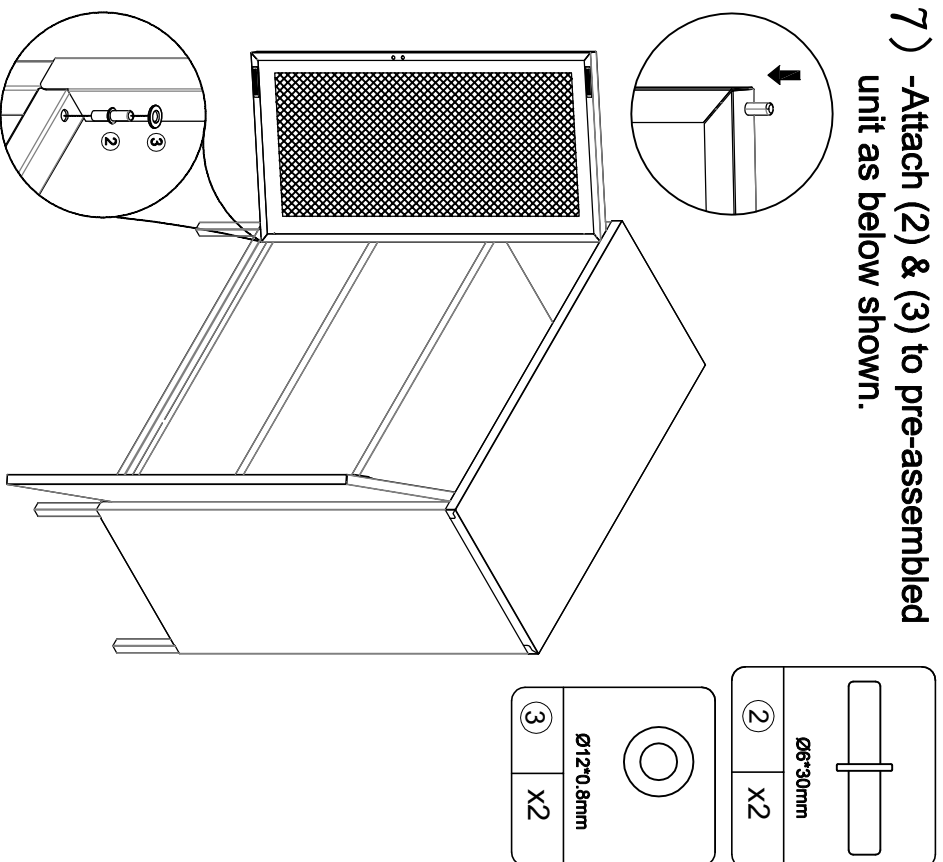
(5) - Attach (D) to (A) as below shown.



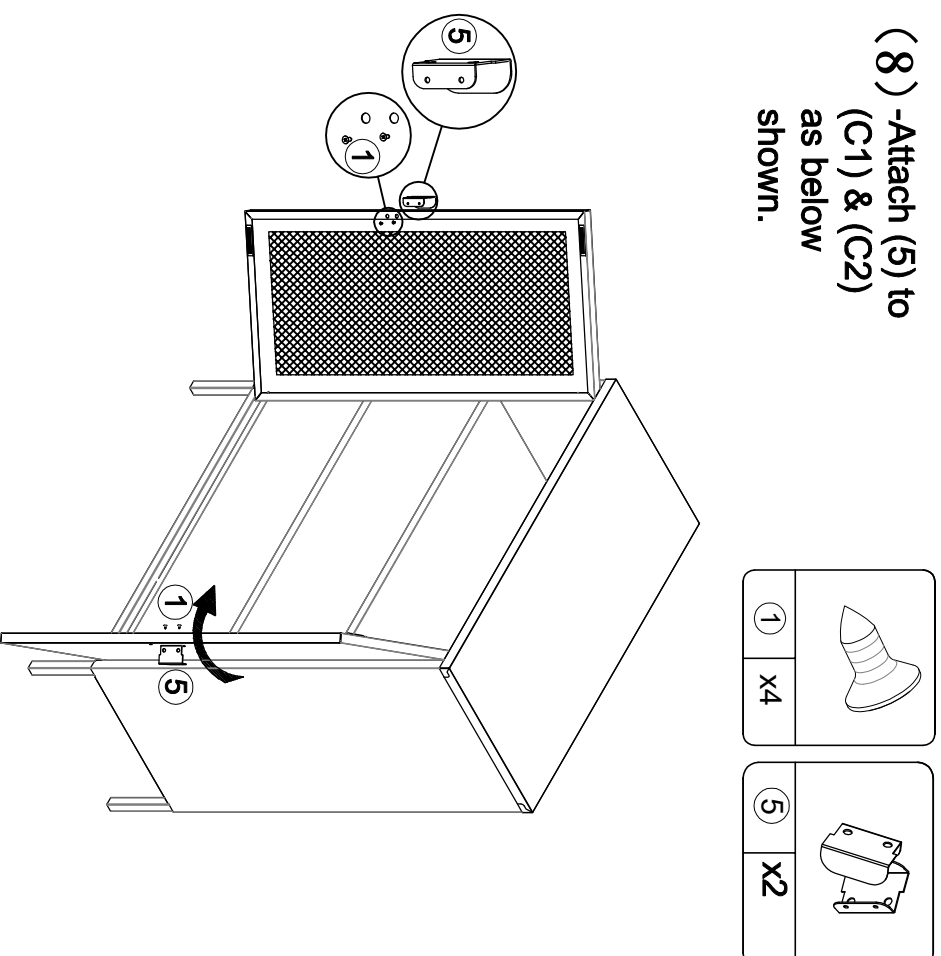
(6) - Attach (G) to pre-assembled unit as below shown.



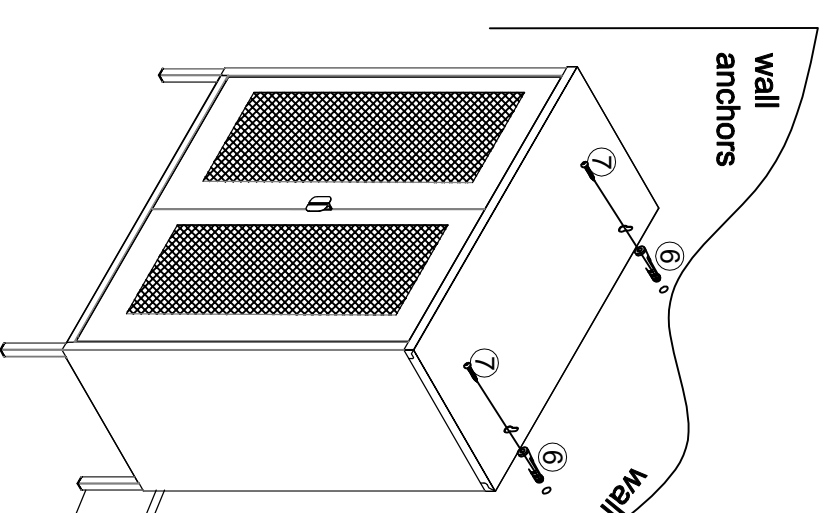
(7) - Attach (2) & (3) to pre-assembled unit as below shown.



(8) - Attach (5) to (C1) & (C2) as below shown.



(9)



Gaps may appear between the top of the doors and the frame if the item is not on level ground; use the plastic foot cover to level.