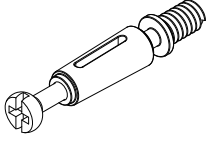

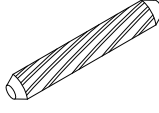
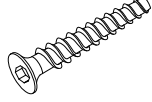
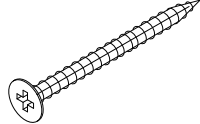


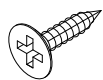
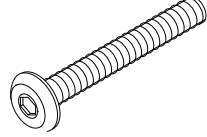
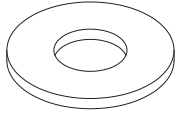
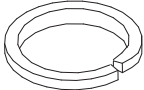
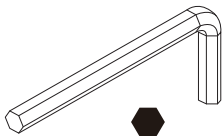
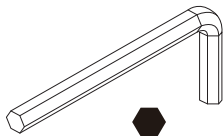
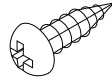
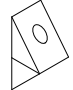
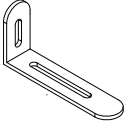
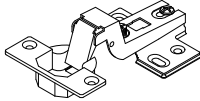
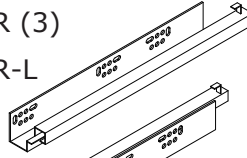
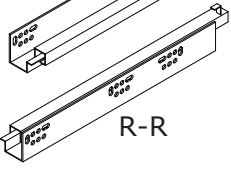
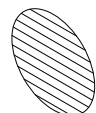

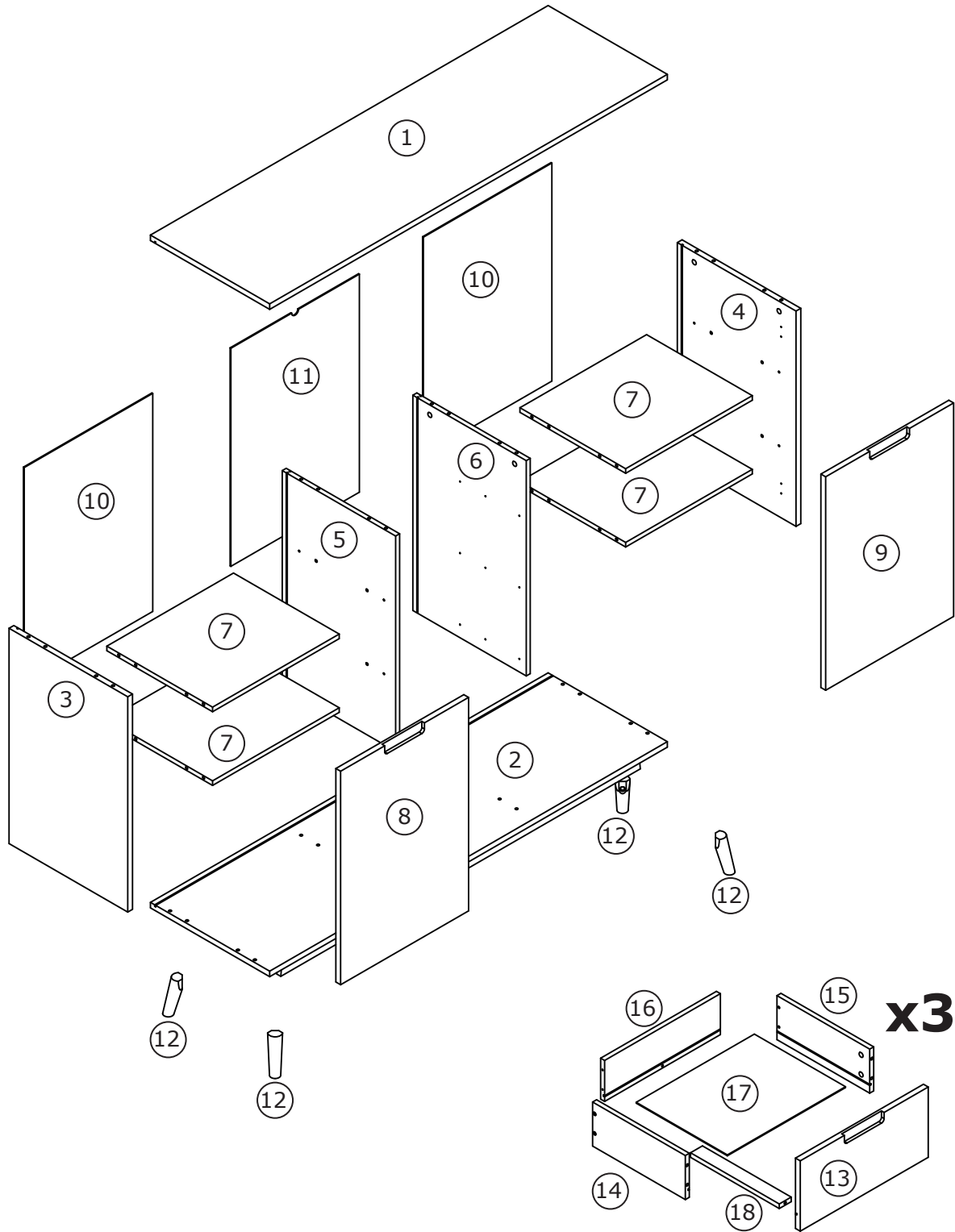


3101002  
3101003  
Copenhagen Sideboard



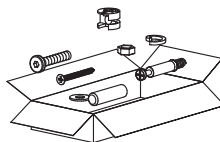


<p>A (39)</p> 	<p>B (39)</p> 	<p>C (32)</p>  <p>Ø8×30 mm</p>	<p>D (8)</p>  <p>Ø6.3×50 mm</p>	<p>E (15)</p>  <p>Ø5×40 mm</p>
<p>F (18)</p>  <p>Ø5×10 mm</p>	<p>G (10)</p>  <p>Ø3×16 mm</p>	<p>H (24)</p>  <p>Ø4×14 mm</p>	<p>I (4)</p>  <p>Ø8×75mm</p>	<p>J (4)</p>  <p>Ø8/Ø19 mm</p>
<p>K (4)</p>  <p>Ø14 mm</p>	<p>L (1)</p>  <p>5 mm</p>	<p>M (1)</p>  <p>4 mm</p>	<p>N (1)</p>  <p>Ø4×12 mm</p>	<p>O (10)</p> 
<p>P (1)</p> 	<p>Q (4)</p> 	<p>R (3)</p> <p>R-L</p>  <p>R-R</p> 	<p>S (56)</p>  <p>Ø20 mm</p>	<p>T (4)</p>  <p>Ø25×3 mm</p>



**Box 1/2:**

① x1 ② x1 ⑫ x4 ⑰ x3



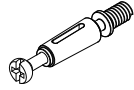
**Box 2/2:**

⑦ x4 ⑧ x1 ⑨ x1 ⑩ x2 ⑪ x1 ⑬ x3

**Box 3/3:**

③ x1 ④ x1 ⑤ x1 ⑥ x1 ⑭ x3 ⑮ x3 ⑯ x3 ⑱ x3

1



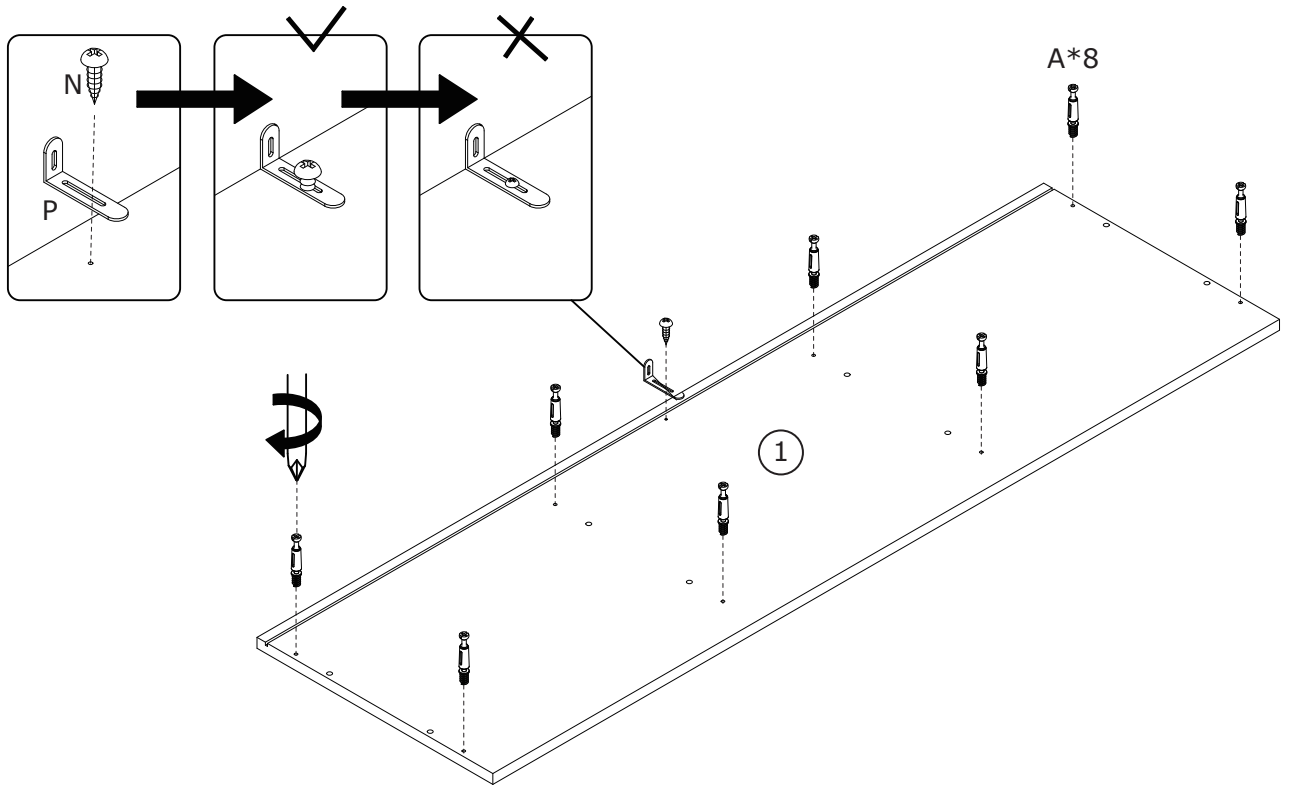
A (8)



N (1)



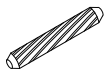
P (1)



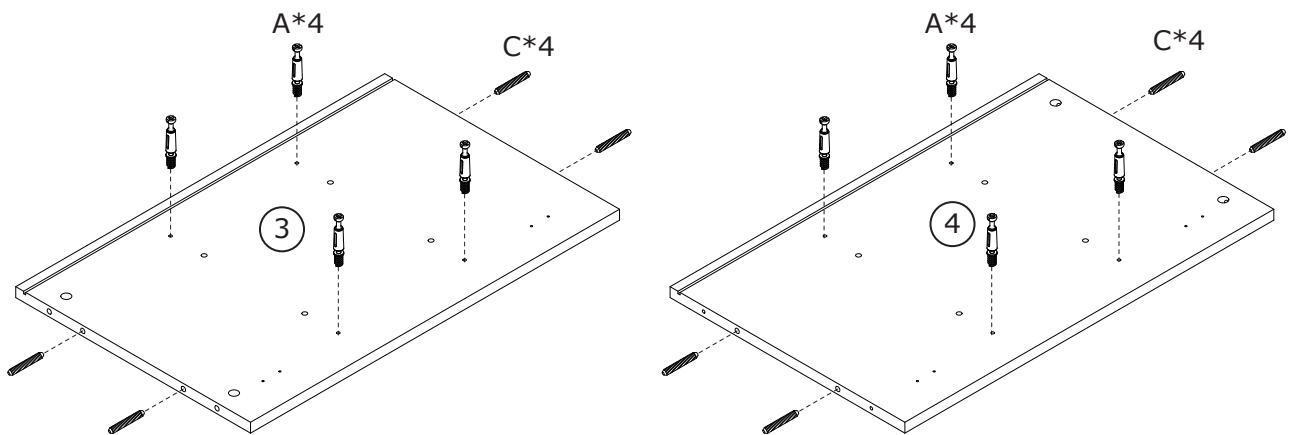
2



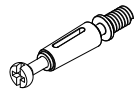
A (8)



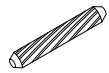
C (8)



3



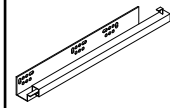
A(4)



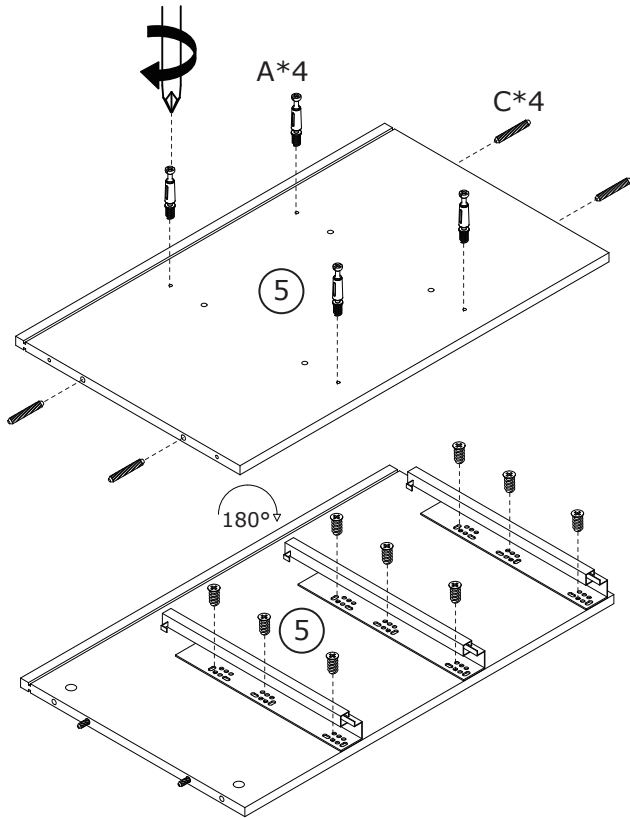
C (4)



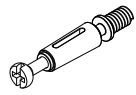
F (9)



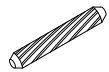
R-L (3)



4



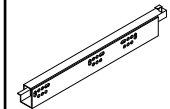
A(4)



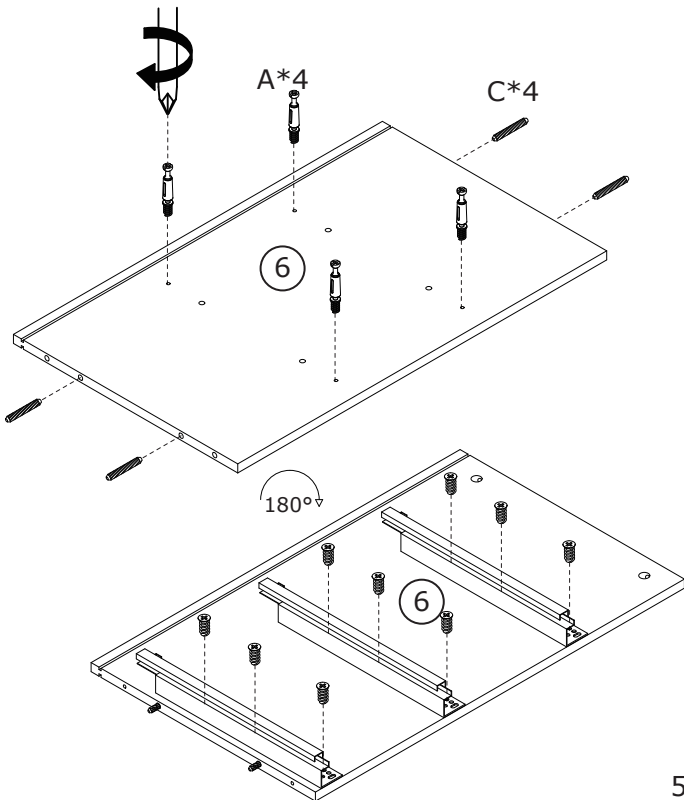
C (4)



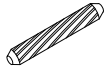
F (9)



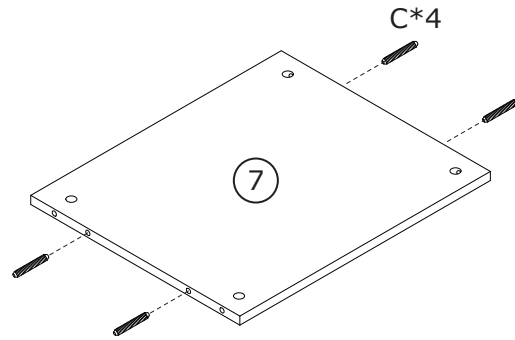
R-R (3)



5

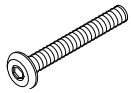


C(16)

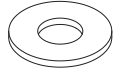


x4

6



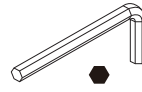
I(4)



J(4)

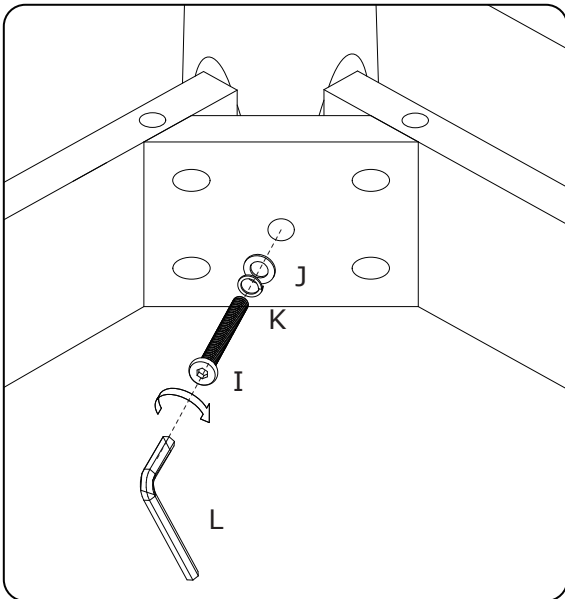


K(4)

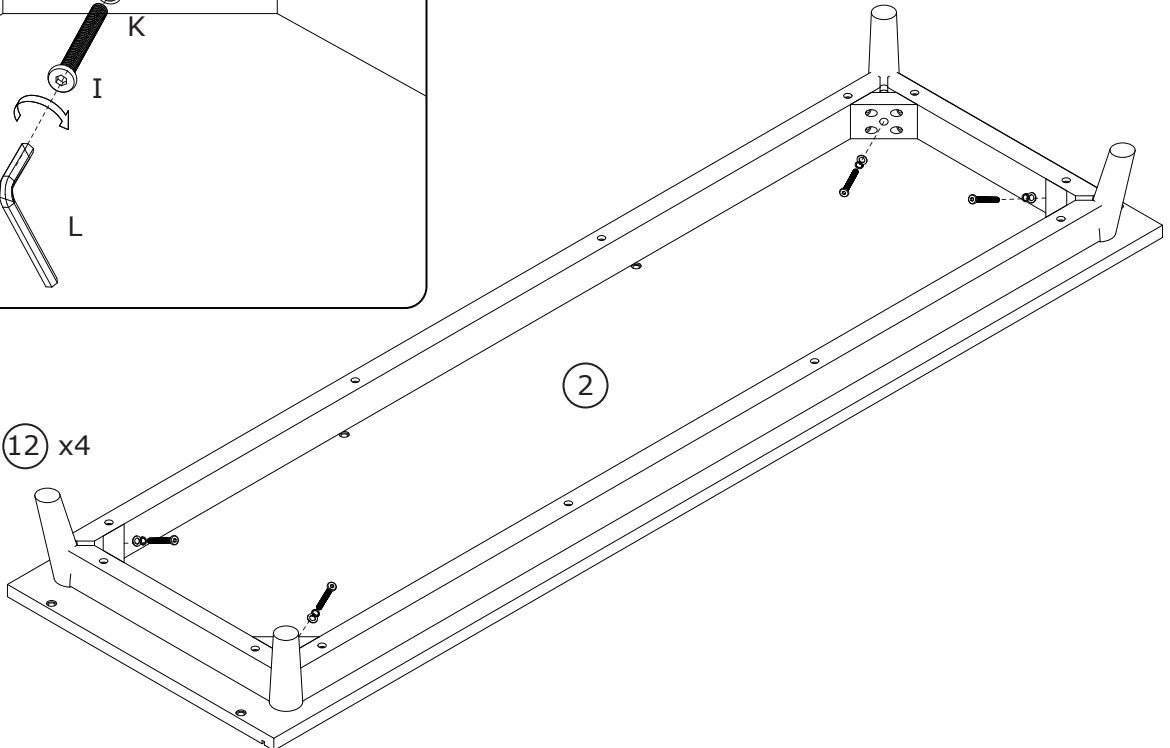


5 mm

L(1)



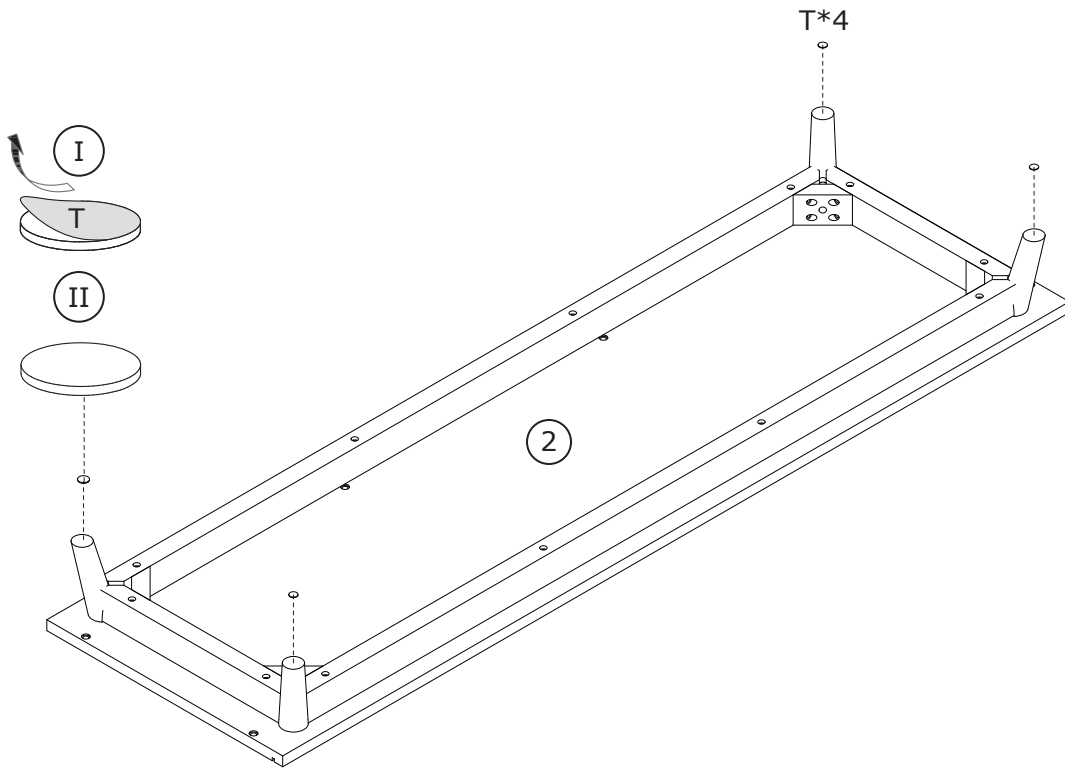
12 x4



7



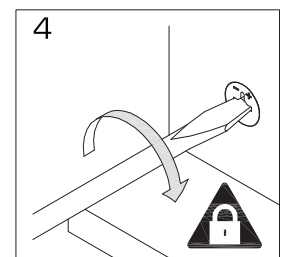
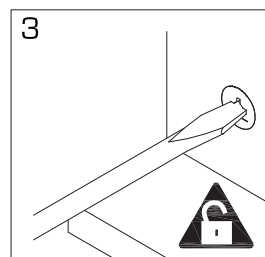
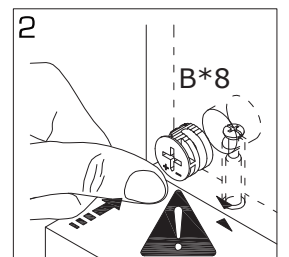
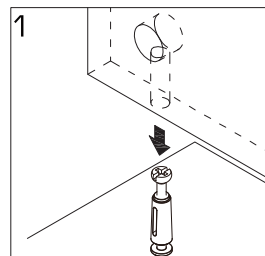
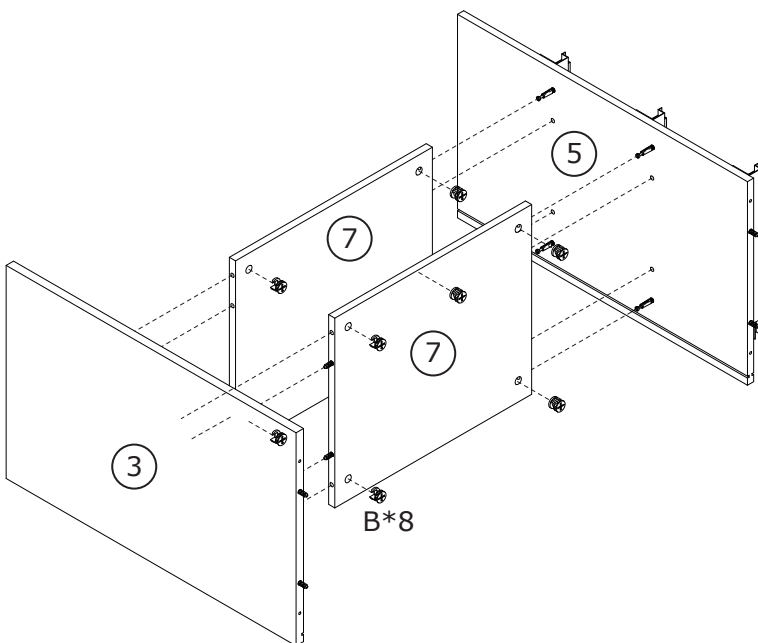
T(4)



8



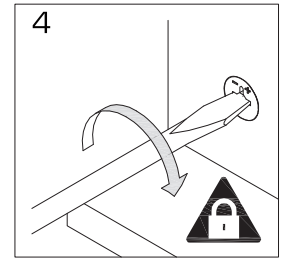
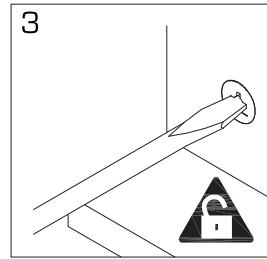
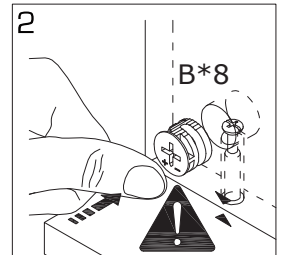
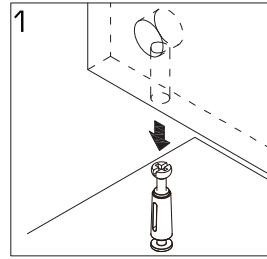
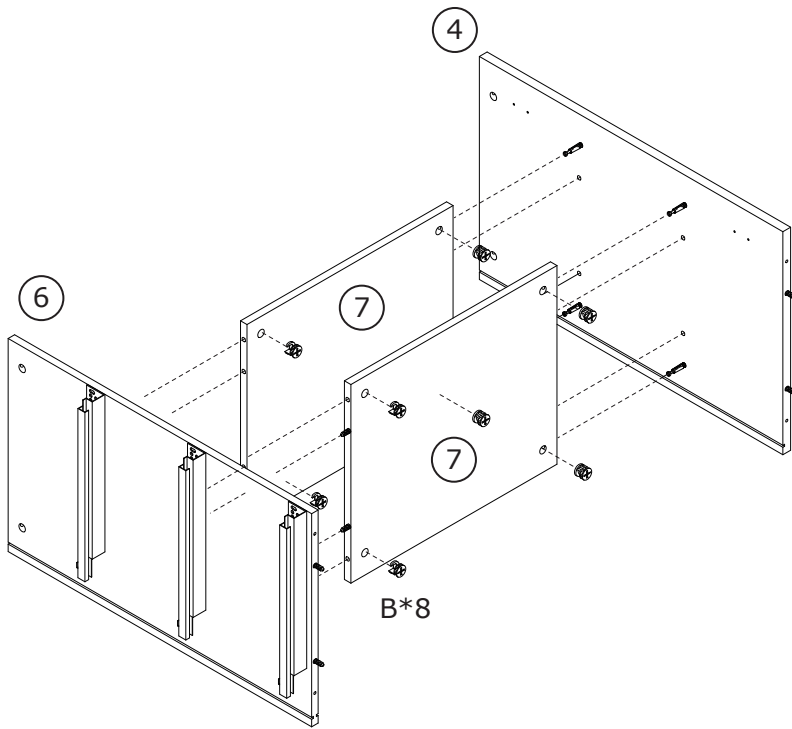
B(8)



9



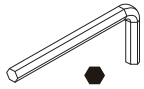
B (8)



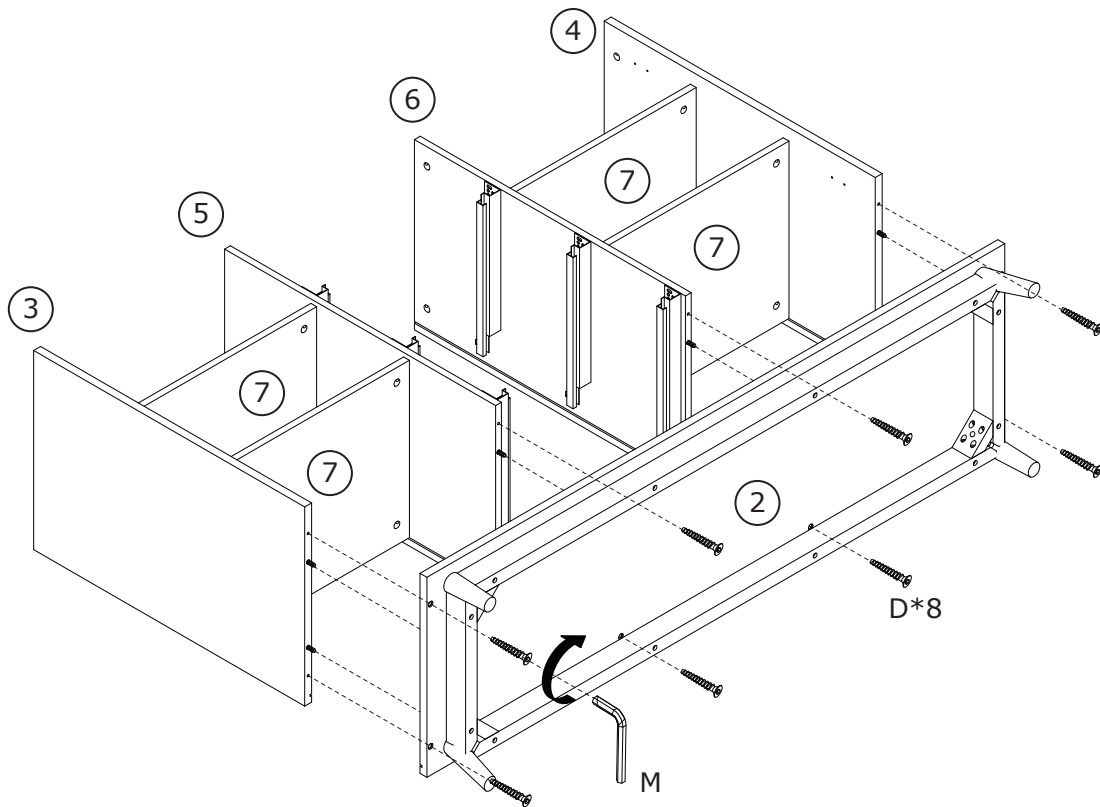
10



D (8)



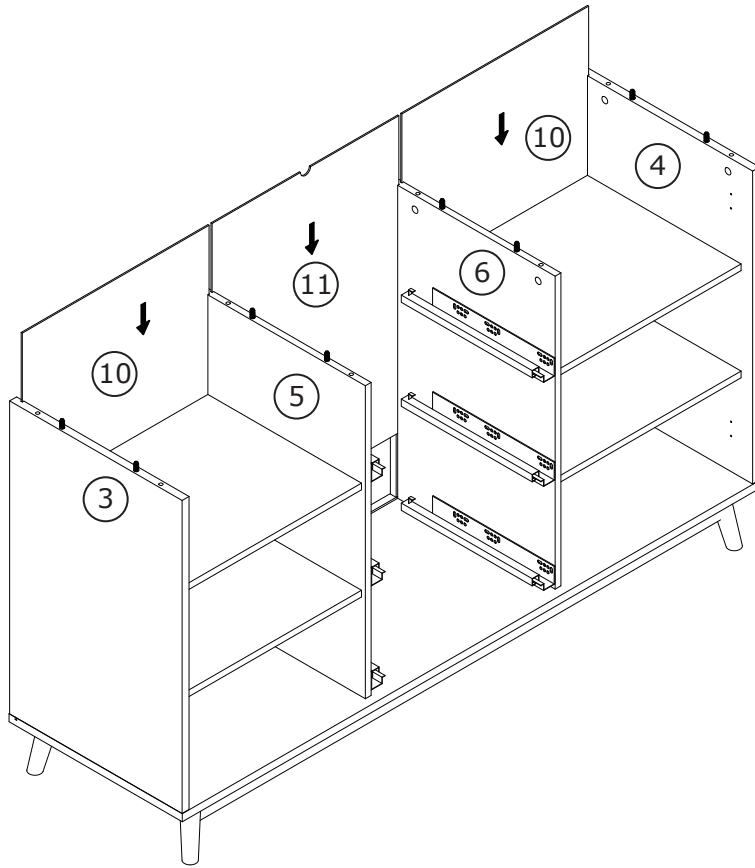
4 mm  
M (1)



8-15



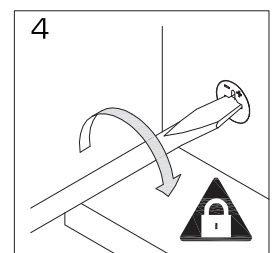
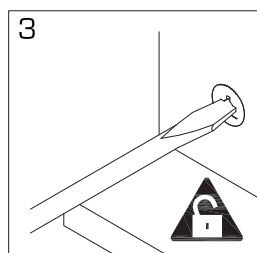
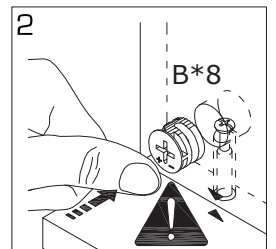
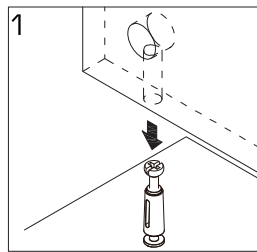
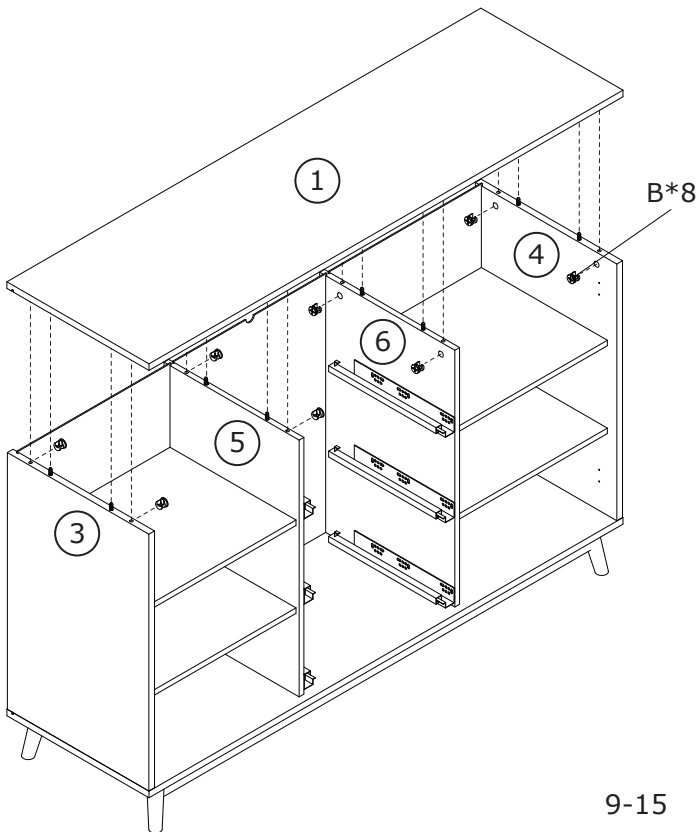
11



12



B(8)



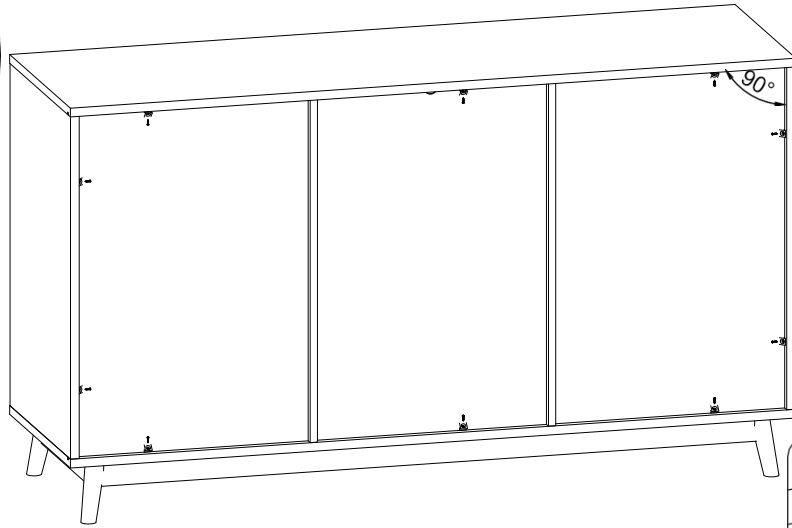
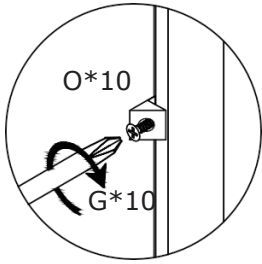
# 13



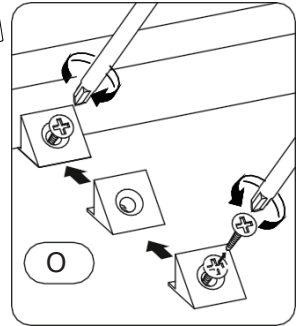
G(10)



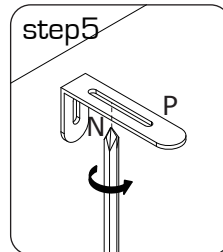
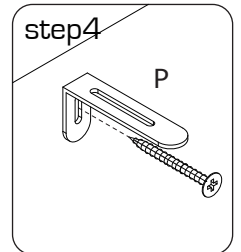
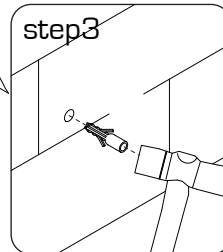
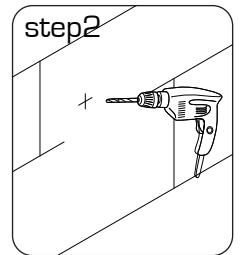
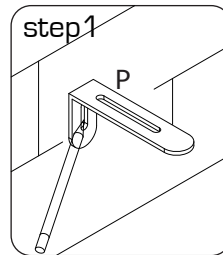
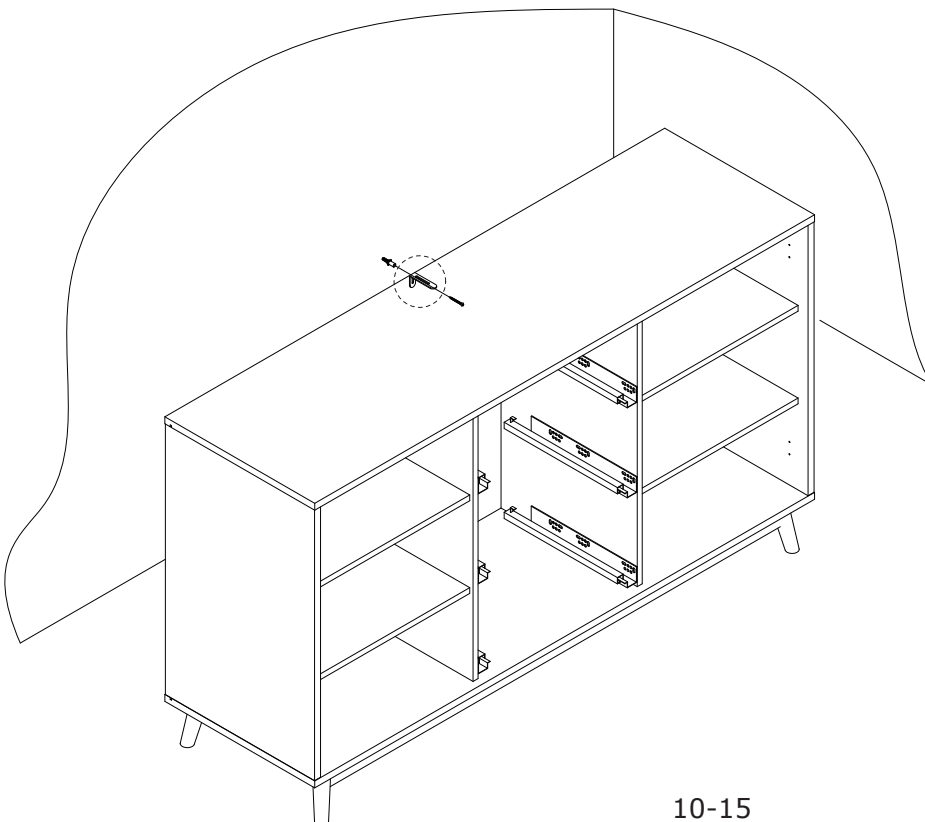
O(10)



1. Please remove the screw from the plastic cap
2. Place the plastic cap in the right position
3. Add the screw in the plastic cap and screw it through



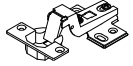
# 14



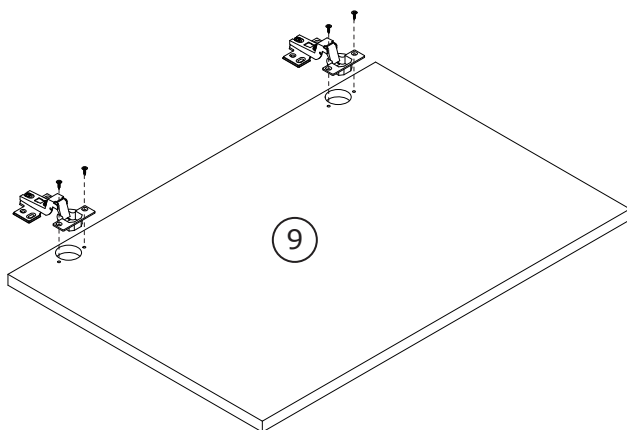
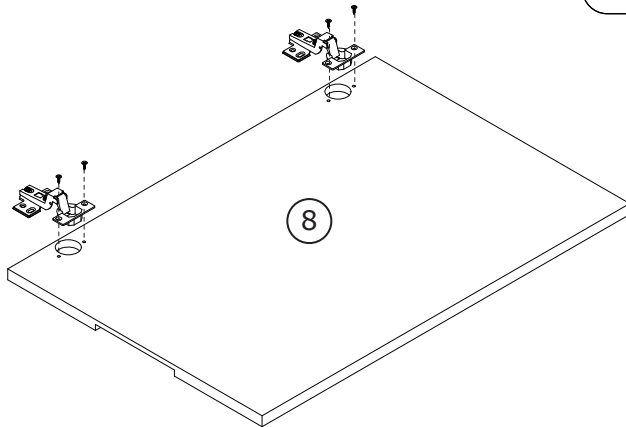
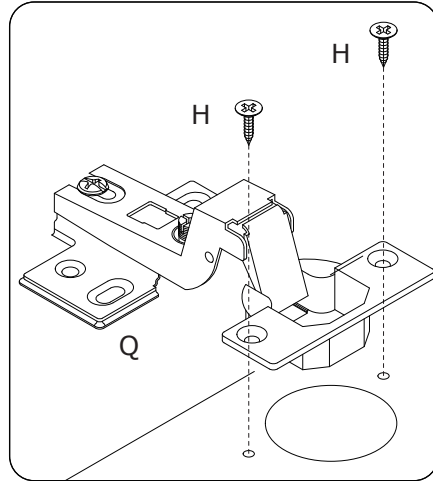
# 15



H(8)



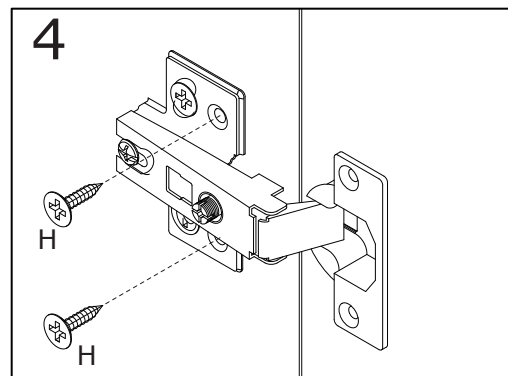
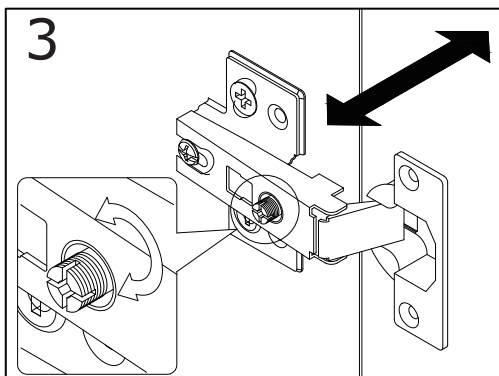
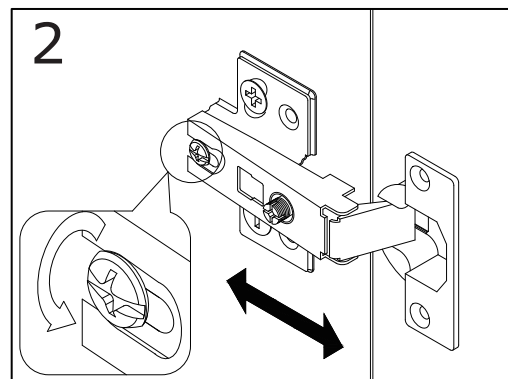
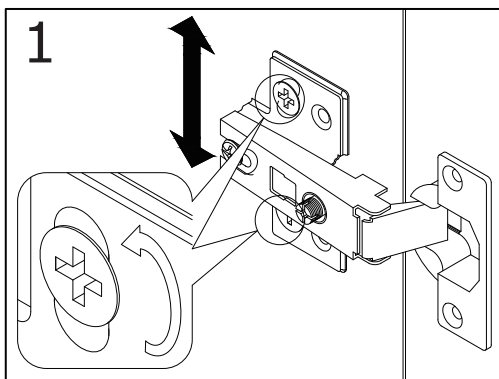
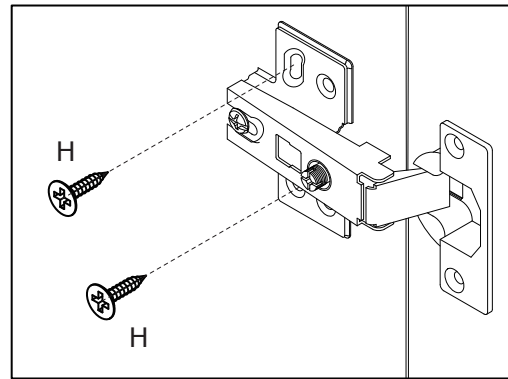
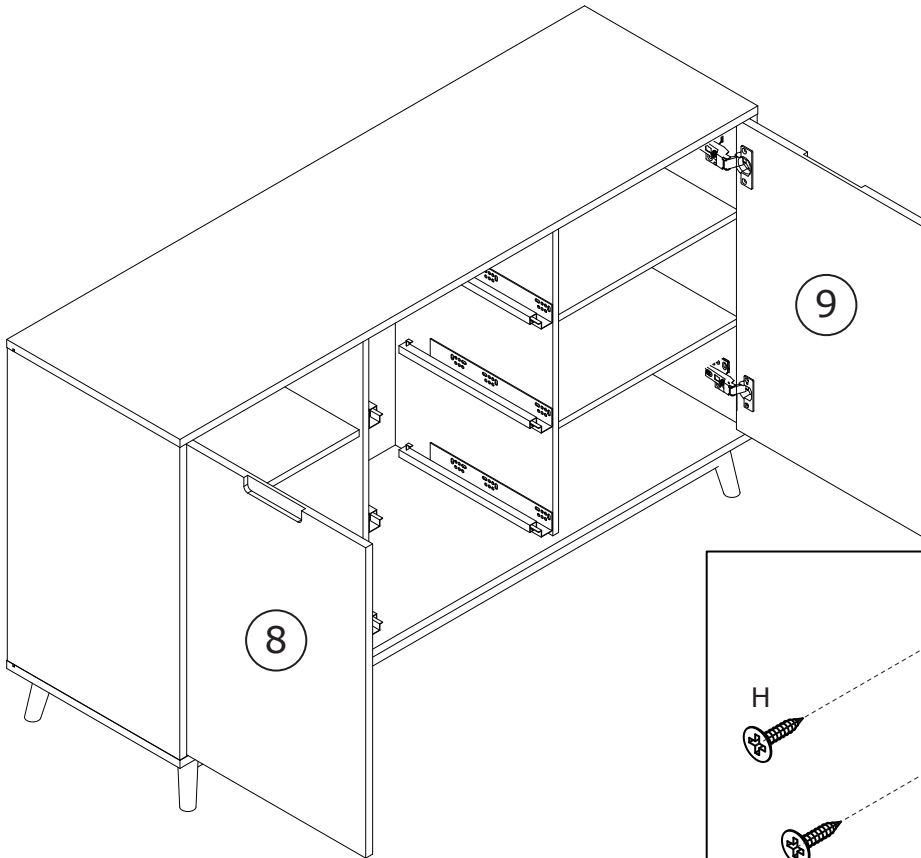
Q(4)



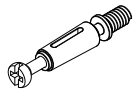
16



H(16)



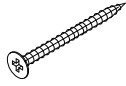
# 17



A(15)

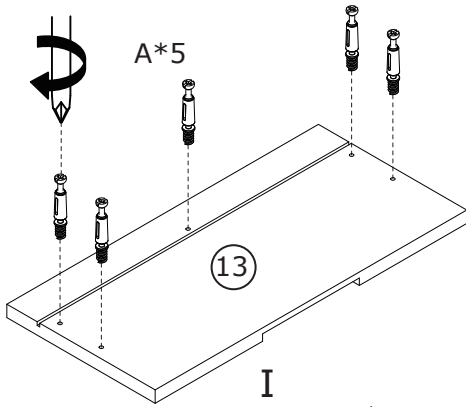


B(15)

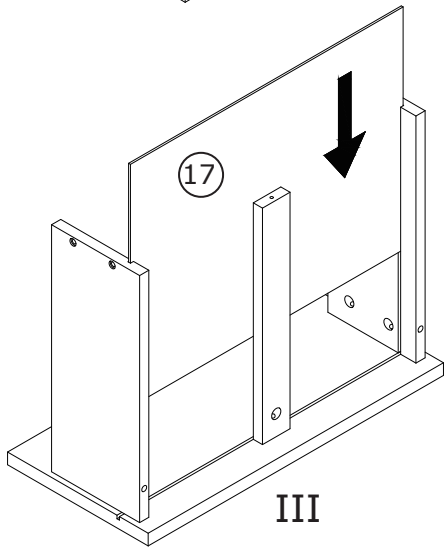


E (15)

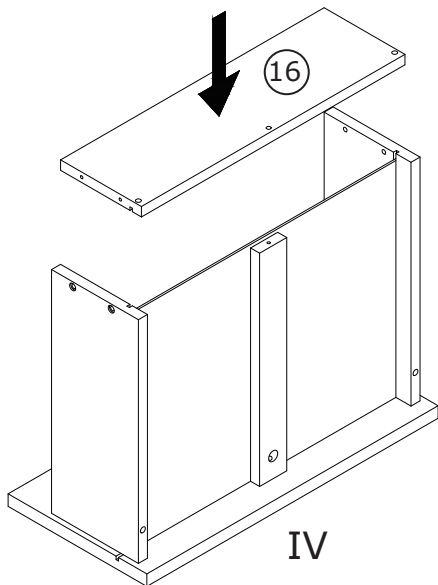
## x3



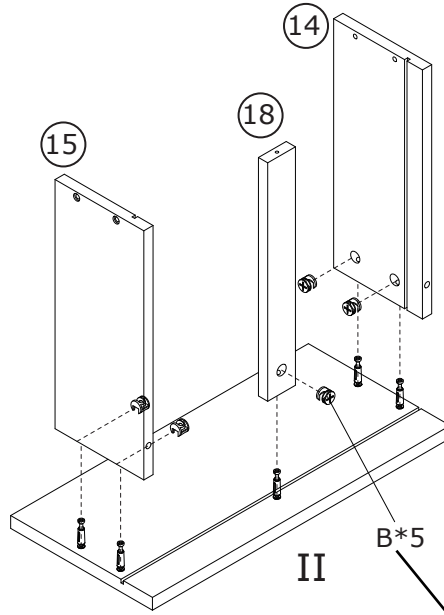
I



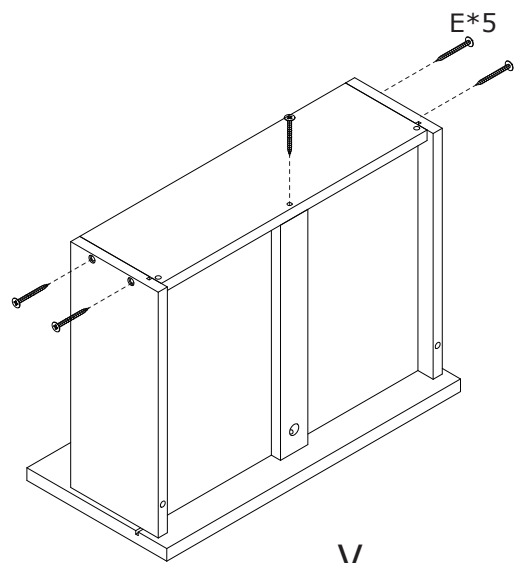
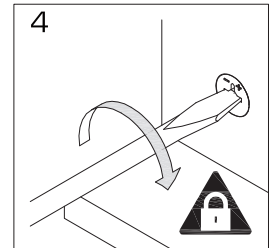
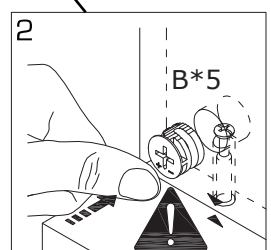
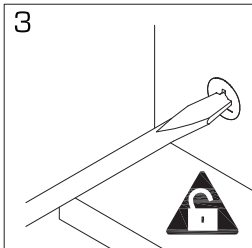
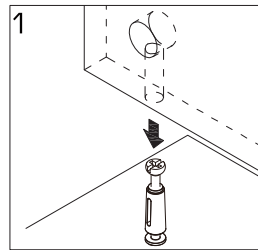
III



IV



II

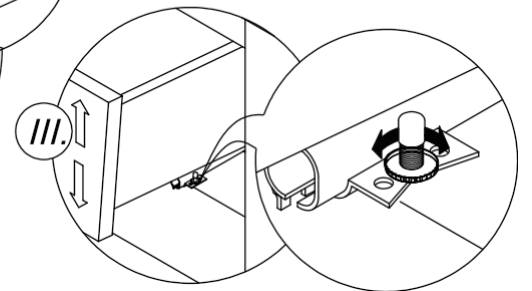
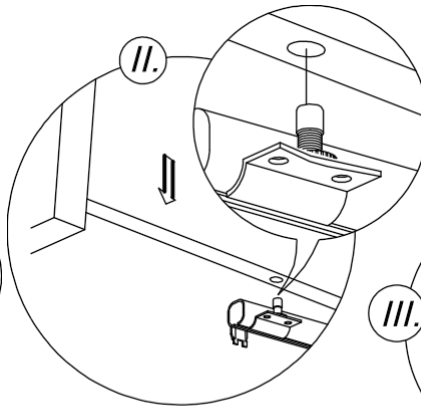
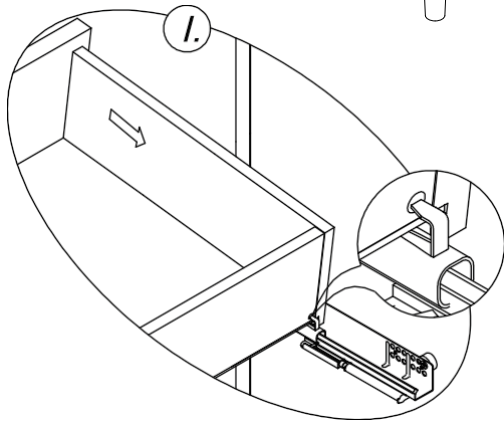
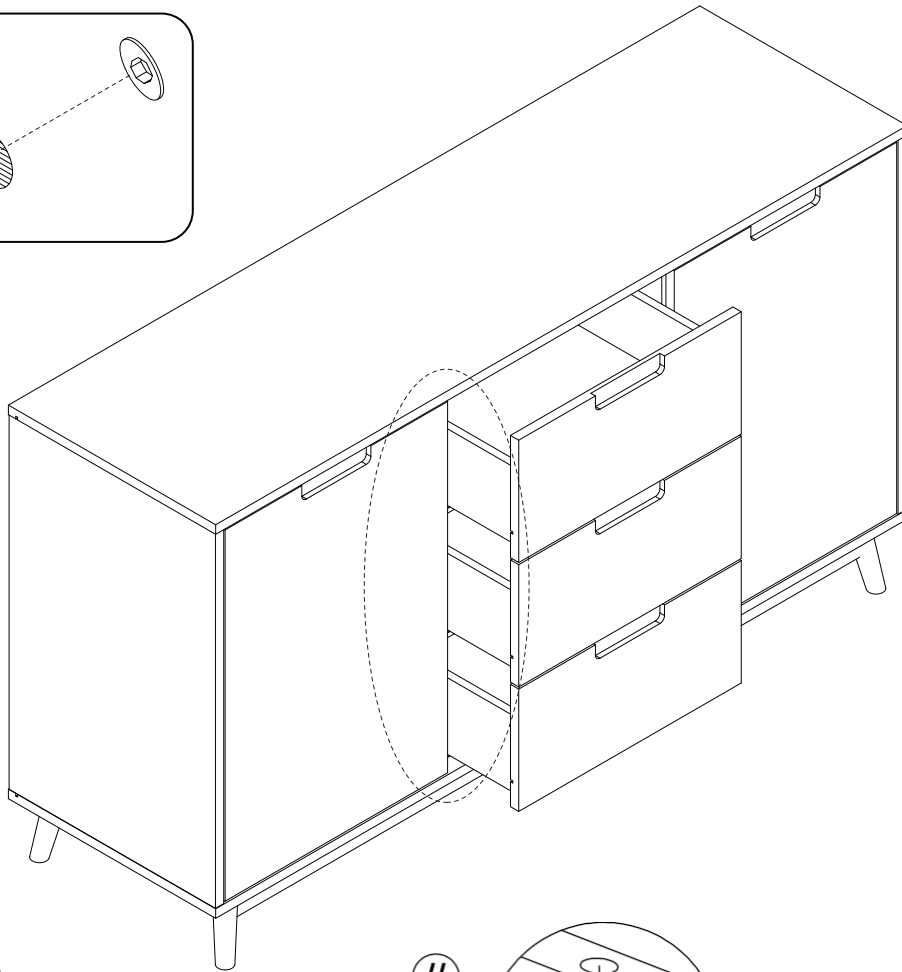
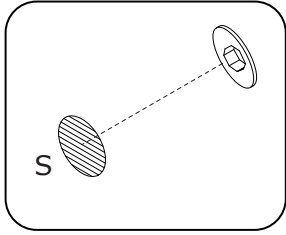
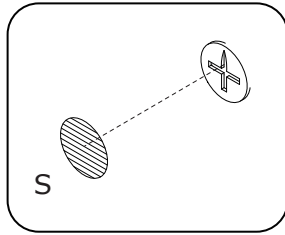
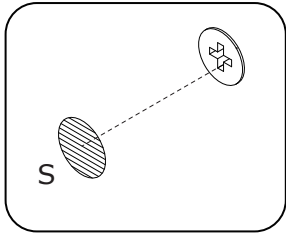


V

18



S(56)



19

