



Ax1

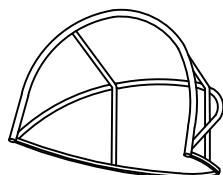
1



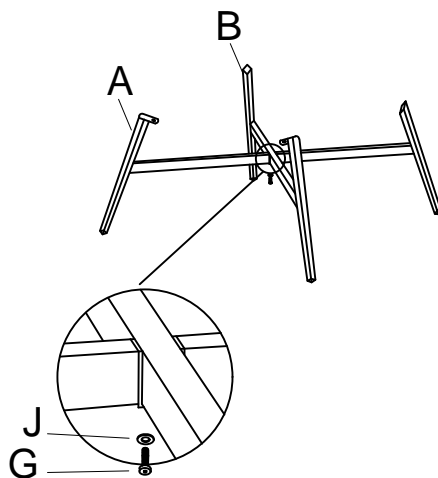
Bx1



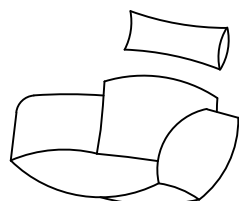
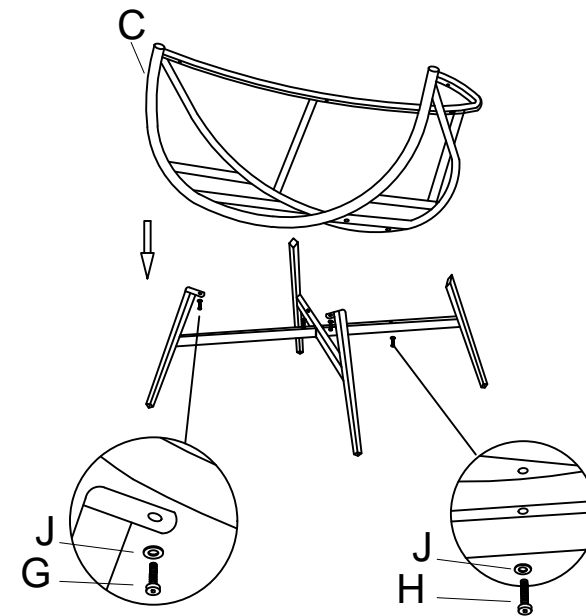
Cx1



Dx1

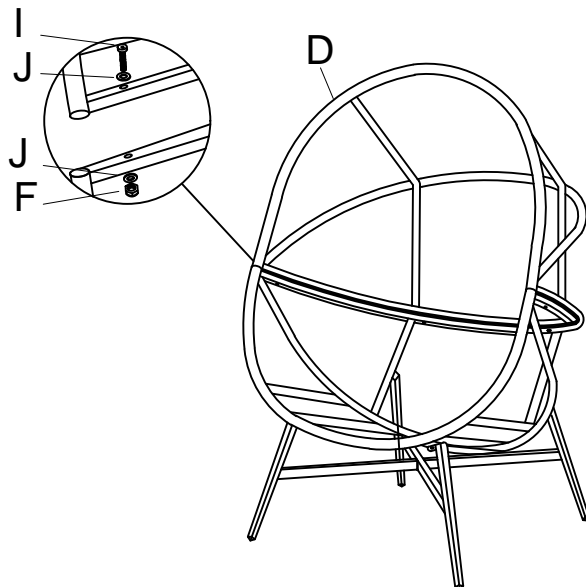


2

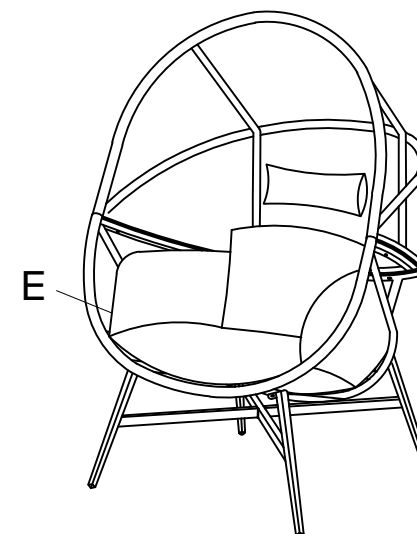


Ex1

3



4



Fx4



Gx3



Hx2



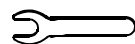
I x4



Jx13



Kx1



L x1

7301031



HOUSE NORDIC